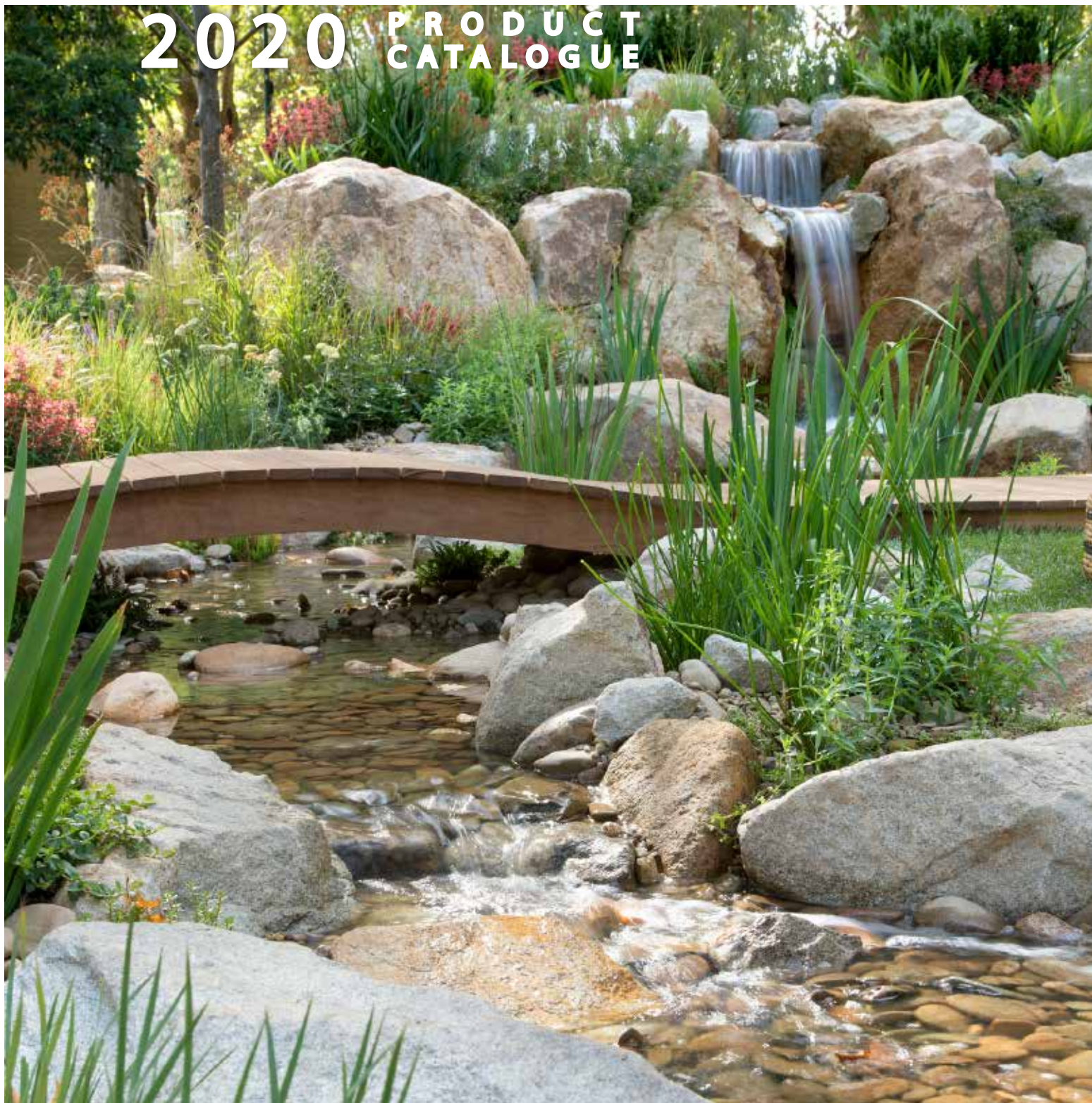


Water Features

2020 PRODUCT CATALOGUE





THE WATERFEATURE LIFESTYLE

I think we can all recall a time in our childhood when the fascination we had with the discovery of water and the life it supports was like exploring another world. Full of creatures and movement that sparked our imagination. We played for days on end in the local creek or dam, we would take off and be back late for dinner full of stories of our latest discoveries.

Water is the conduit to our senses. A waterfall or creek will draw you in to a primordial place in the same way that gazing into a campfire does.

No matter how dry our environment is, we will always want to live near water. A living pond or waterfall is a perfect way to accomplish this and there are many ways to incorporate water in to your environment. Build them well and they give years of joy.

“Living The Water Feature Lifestyle” - what you experience owning and living with a water feature. It’s how you interact with it but even more importantly; it’s how it interacts with you, right where you live ... at home!

Since 2008 we have supplied Australia with the Aquascape Inc. pond and water garden products, equipment and accessories because we believe it to be the best, tried and tested pond equipment in the world - products and technique designed by pond builders for pond builders makes sense to us.

We are also the Australian Distributer for Firestone EPDM pond and dam liners and offer technical advice and onsite installation support by our Firestone trained technician

At Aquascape Supplies Australia no matter what the application, from the smallest water feature or pond to large recreational systems and commercial projects, we have everything you will need including technical support from start to finish.

All products have been tested thoroughly for Australian conditions by our construction teams and we have the back up and field expertise to support you with any sized project.



A handwritten signature in black ink, appearing to read "Colin J". The signature is stylized and fluid.



The leading water feature manufacturer in North America

Thank you for 29 years of support

Your Paradise. Our Passion.® That's our motto at Aquascape. We strive each and every day to provide the best products and services in the water feature industry.

Whether you are experienced or new to the world of water features, we invite you to explore our comprehensive selection of products designed to build, enhance, and maintain a wide variety of water features, including ponds, waterfalls, and fountains.

From our expansive selection of high-quality products with long-term warranties to our industry-leading training events and experienced Customer Care and Technical Support teams, we are here to ensure your success installing, selling, or enjoying Aquascape water features.

Welcome to Living the Aquascape Lifestyle™!



*Greg Wittstock
"The Pond Guy"*



LIVING THE AQUASCAPE LIFESTYLE™

At Aquascape, our passion is helping people transform their outdoor living space and how they spend their leisure time. Living the Aquascape Lifestyle™ is about enjoying your own personal retreat with a beautiful water feature. When you live with a pond, waterfall, or fountain, you are drawn outside, away from daily stresses, to interact with your landscape in a variety of ways. Water feature owners enjoy feeding colorful fish, watching birds splash in a waterfall, or listening to the tranquil sounds of moving water. The benefits are plentiful, and Aquascape makes it easier than ever to enjoy the Aquascape Lifestyle.

TABLE OF CONTENTS

■ Pond Kits.....	8	■ Water Treatments.....	70
■ Pondless® Waterfall Kits	13	■ Predator Control.....	80
■ Recreation Ponds.....	18	■ Fish Care	82
■ Landscape Fountain Kits	20	■ Aquatic Plant Care	84
■ Filtration	23	■ Decorative	86
■ Pumps	39	■ Liner, Underlayment, and Geotextile ...	102
■ Aeration.....	53	■ Pipe and Plumbing	105
■ Lighting.....	55	■ Installation Tools.....	110
■ Power	68		

SYMBOL KEY

	Use with Smart Control App		2-Year Limited Warranty
	Fire Fountain Add-On Kit Available		3-Year Limited Warranty
	Ideal for Cold Weather		5-Year Limited Warranty
	Great for Container Water Gardens		Limited Lifetime Warranty
	New Product		



INTRODUCING THE NEW

Aquascape Smart Control App



Use Your Smartphone To Control Your Aquascape Water Feature

Download the Smart Control App* to

- Control adjustable flow pumps
- Change Aquascape color-changing lights
- Monitor power consumption
- Manage your water feature at anytime from anywhere



Smart Control Plug - The easiest way to control existing water features, allowing you to control lights, pumps, or any other outdoor appliance at anytime from anywhere using the Smart Control App on your smartphone or tablet.

[See page 69 for more information.](#)



Smart Control Receiver - Makes it easy to connect your adjustable flow pump to the Smart Control App on your smartphone or tablet, providing a variety of wireless control functions, including flow adjustment and customized scheduling.

[See page 40 for more information.](#)



Smart Control Hub for Color-Changing Lights - Control your lights from anywhere using the Smart Control App on your smartphone or tablet, providing a variety of lighting functions, including color selection, cycle, dimming, color themes, and more.

[See page 63 for more information.](#)

* App available for download in January 2020

NEW Aquascape Products

NEW



SLD Adjustable Flow Pond Pumps - Professional-grade, solids-handling, asynchronous pumps that allow you to use your smartphone to control flow rates and customized scheduling.

[See page 43 for more information.](#)



Waterfall Spillway 12" / 30cm- Introducing a smaller version of the popular 22"/56cm wide Waterfall Spillway, providing smooth, consistent, leak free waterfalls.

[See page 33 for more information.](#)



Smart Control Conversion Plug - Convert existing AquaSurge® or AquaForce® Adjustable Flow Pumps to be used with our new Smart Control Receiver.

[See page 41 for more information.](#)



Deluxe Pond Kits - A medium and large pond kit with all the components you need to build a pond and plenty of extras, like the Pond Powerhead, Faux Driftwood 30" and our adjustable flow pump and color-changing lights now controlled by the Smart Control App.

[See page 12 for more information.](#)



Faux Log Fish Cave - Provides a great place for your pond fish to hide from predators or take shelter from the sun. This realistic-looking decorative accent adds aesthetic appeal to a pond.

[See page 91 for more information.](#)



Deluxe Pondless® Waterfall Kits - A medium and large Pondless Waterfall Kit with all the components you need to build a waterfall and plenty of extras, like the Faux Driftwood 35" and our adjustable flow pump and color-changing lights now controlled by the Smart Control App.

[See page 17 for more information.](#)



AquaGarden Mini Pond Kit - Complete pond and water garden kit, containing an integrated plant and waterfall filter, waterfall light, water pump, and media kit.

[See page 88 for more information.](#)



AquaSurge® and AquaForce® Adjustable Flow Pumps - Now available with Smart Control Receivers.

[See page 41 and 47 for more information.](#)

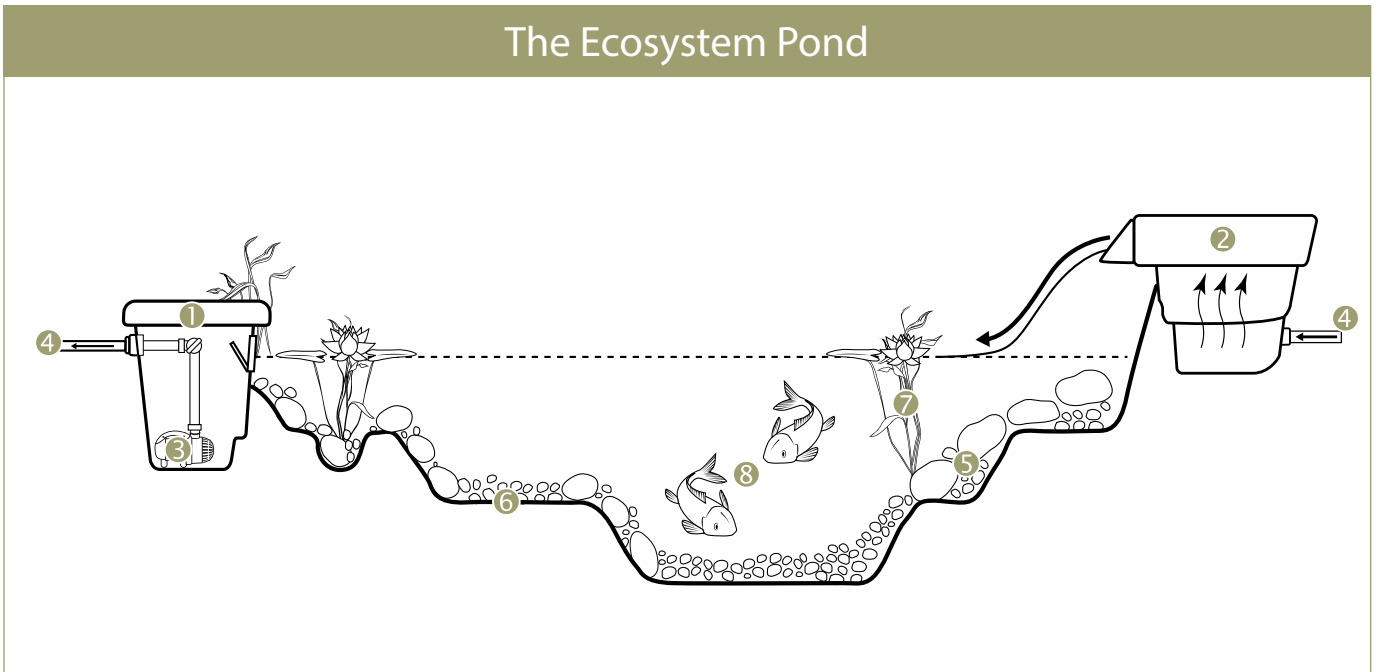


POND KITS

Transform your outdoor living space with a beautiful ecosystem pond that can be created with a convenient kit. The Aquascape approach to creating backyard pond kits is to provide a complete low-maintenance system that works with Mother Nature for a naturally balanced pond with clean, healthy water. All pond kit components selected work well together and complement the addition of rocks, gravel, fish, and plants. Aquascape offers a variety of pond kit sizes to suit your space.

Pond Kits

The Ecosystem Pond



- ① **Pond Skimmer**
Pre-filters water and houses pump, collects debris, and reduces maintenance
- ② **BioFalls® Filter**
Provides surface area for beneficial bacteria to colonize and remove excess nutrients from the water
- ③ **Pond Pump**
Pumps water from the Pond Skimmer to the BioFalls Filter to create a waterfall
- ④ **Pipe**
Directs water from the skimmer to the BioFalls Filter
- ⑤ **Rocks and Gravel (not included)**
Protects the liner, naturalizes the pond bottom, and provides surface area for beneficial bacteria to break down excess nutrients
- ⑥ **Pond Liner and Underlayment**
Forms the pond's foundation, containing the water and allowing for gases to escape from beneath the pond
- ⑦ **Plants (not included)**
Aquatic plants filter pond water, thereby minimizing maintenance and improving water conditions.
- ⑧ **Fish (not included)**
Provide nutrients for pond plants and reduce maintenance

DIY Backyard Pond Kits

Aquascape offers three DIY pond kits to create a small, medium, or large pond in your landscape.



DIY Backyard Pond Kit 1.2m x 1.8m
#83005

DIY Backyard Pond Kit 1.8m x 2.4m
#83006

DIY Backyard Pond Kit 2.4m x 3.3m
#83007

Comparison Chart

Model	DIY Backyard Pond Kit 1.2m x 1.8m	DIY Backyard Pond Kit 1.8m x 2.4m	DIY Backyard Pond Kit 2.4m x 3.3m
Skimmer	Signature Series 200 Pond Skimmer	Signature Series 200 Pond Skimmer	Signature Series 200 Pond Skimmer
BioFalls	Signature Series 1000 BioFalls	Signature Series 1000 BioFalls	Signature Series 1000 BioFalls
BioFalls Rock Tray	—	—	—
BioFalls Filter Media	✓	✓	✓
Pump	EcoWave 2000	EcoWave 2000	EcoWave 2000
Pipe	Kink-Free 40mm x 7.5m,	Kink-Free 40mm x 7.5m	Kink-Free 40mm x 7.5m
Liner Material	45 mil EPDM (Fish Safe)	45 mil EPDM (Fish Safe)	45 mil EPDM (Fish Safe)
Liner Size*	3.05m x 3m	3.05m x 3.65m	3.65m x 4.88m
Finished Pond Size* Length x Width x Max Depth	1.2m x 1.8m x .6m	1.8m x 2.44m x .6m	2.44m x 2.25m x .6m
Underlayment*	12m ²	16m ²	20m ²
LED Lighting Package	—	—	—
Automatic Dosing System	—	—	—
Installation Kit**	✓	✓	✓
Welcome Kit	—	—	—
Packaged Weight	35kg	40kg	50kg
Packaged Dimensions	86cmL x 56cmW x 58cmH	86cmL x 56cmW x 58cmH	86cmL x 56cmW x 58cmH

* Options vary based on kit size.

**Installation Kit includes: fittings, Silicone Sealant, Pond and Waterfall Foam Sealant
Finished pond size may vary based on pond shape and rock size.

Professional Grade Pond Kits

Aquascape Professional Grade Pond Kits are available in three sizes for those looking to build a pond with professional-grade products.



Small Pond Kit 2.4m x 3.3m
#53043



Medium Pond Kit 3.3m x 4.8m
with AquaSurge® 3000 Pond Pump
#53044



Large Pond Kit 6.4m x 7.9m
with AquaSurge® 5000 Pond Pump
#53046

with AquaSurge® 4000–8000 Adjustable Flow
Pond Pump
#53036



Comparison Chart

Model	Small Pond Kit 2.4m x 3.3m	Medium Pond Kit 3.3m x 4.8m	Large Pond Kit 6.4m x 7.9m
Skimmer	Signature Series 400 Pond Skimmer	Signature Series 1000 Pond Skimmer	Signature Series 1000 Pond Skimmer
BioFalls	Signature Series 1000 BioFalls	Signature Series 2500 BioFalls	Signature Series 6000 BioFalls
BioFalls Rock Tray	✓	✓	✓
BioFalls Filter Media	✓	✓	✓
Pump*	AquaSurge 3000 Pond Pump	AquaSurge 3000 Pond Pump	AquaSurge 5000 Pond Pump or AquaSurge 4000-8000 Pond Pump
Pipe	Flexible PVC 40mm x 7.62m	Flexible PVC 50mm x 7.62m	Flexible PVC 50mm x 15.24m
Liner Material	Firestone 1.02mm EPDM (Fish Safe)	Firestone 1.02mm EPDM (Fish Safe)	Firestone 1.02mm EPDM (Fish Safe)
Liner Size*	3.65m x 4.88m	4.88m x 6.1m	7.62m x 9.15m
Finished Pond Size* Length x Width x Max Depth	2.4m x 3.3m x .6m	3.3m x 4.8m x .6m	6.4m x 7.9m x .6m
Underlayment*	20m ²	28m ²	72m ²
LED Lighting Package**	—	✓	✓
Automatic Dosing System	✓	✓	✓
Installation Kit***	✓	✓	✓
Welcome Kit	—	—	—
Packaged Weight	66kg	132kg	222kg
Packaged Dimensions	63.5cmL x 101cmW x 76cmH	122cmL x 101cmW x 78cmH Palletized	122cmL x 101cmW x 104cmH Palletized

* Options vary based on kit size.

**LED Lighting Package includes: (2) 3-Watt LED Spotlights, 1-Watt LED Waterfall and Up Light, 35-Watt Transformer with Photocell, 3-Way Splitter and 7.62m Quick-Connect Extension Cable

***Installation Kit includes: Silicone Sealant, EPDM Liner Patch, Pond and Waterfall Foam Sealant, Christy's Red Hot Blue Glue
Finished pond size may vary based on pond shape and rock size.

Deluxe Pond Kits

NEW

Aquascape Deluxe Pond Kits include all components found in professional grade pond kits, but are enhanced with an upgraded pump and the addition of the Pond Powerhead and an LED color-changing light package. Connect the adjustable flow pump and lights to our Smart Control App and control them with your smartphone or tablet.



Medium Deluxe Pond Kit 3.3m x 4.8m
#53066



Large Deluxe Pond Kit 6.4m x 7.9m
#53067

Comparison Chart

Model	Medium Deluxe Pond Kit 3.3m x 4.8m	Large Deluxe Pond Kit 6.4m x 7.9m
Skimmer	Signature Series 1000 Pond Skimmer	Signature Series 1000 Pond Skimmer
BioFalls	Signature Series 2500 BioFalls	Signature Series 6000 BioFalls
BioFalls Rock Tray	✓	✓
BioFalls Faux Rock Lip	✓	✓
BioBalls Biological Filter Media	✓	✓
Pump*	AquaSurge 4000 Pond Pump	AquaSurge 4000-8000 Adjustable Flow Pond Pump
Pond Powerhead	✓	✓
Faux Driftwood 30"	—	—
Pipe	Flexible PVC 50mm x 7.62	Flexible PVC 50mm x 15.24m
Liner Material	Firestone 1.02mm EPDM (Fish Safe)	Firestone 1.02mm EPDM (Fish Safe)
Liner Size*	4.88m x 6.1m	7.62m x 9.15m
Finished Pond Size* Length x Width x Max Depth	3.3m x 4.8m x .6m	6.4m x 7.9m x .6m
Underlayment*	28m ²	72m ²
Pump Check Valve Assembly	✓	✓
LED Color-Changing Lighting Package**	✓	✓
Automatic Dosing System	✓	✓
Installation Kit***	✓	✓
Welcome Kit	—	—
Packaged Weight	143kg	233kg
Packaged Dimensions	122cmL x 101cmW x 78cmH Palletized	122cmL x 101cmW x 104cmH Palletized

* Options vary based on kit size.

**LED Color-Changing Lighting Package includes: (2) 4.5-Watt Color-Changing Spotlights, 2-Watt Color-Changing Waterfall and Up Light, Color-Changing Lighting Control Hub, 35-Watt Transformer, 60-Watt Transformer, 3-Way Color-Changing Splitter, 7.62m Color-Changing Extension Cable

***Installation Kit includes: Silicone Sealant, EPDM Liner Patch, Pond and Waterfall Foam Sealant, Christy's Red Hot Blue Glue

Finished pond size may vary based on pond shape and rock size.



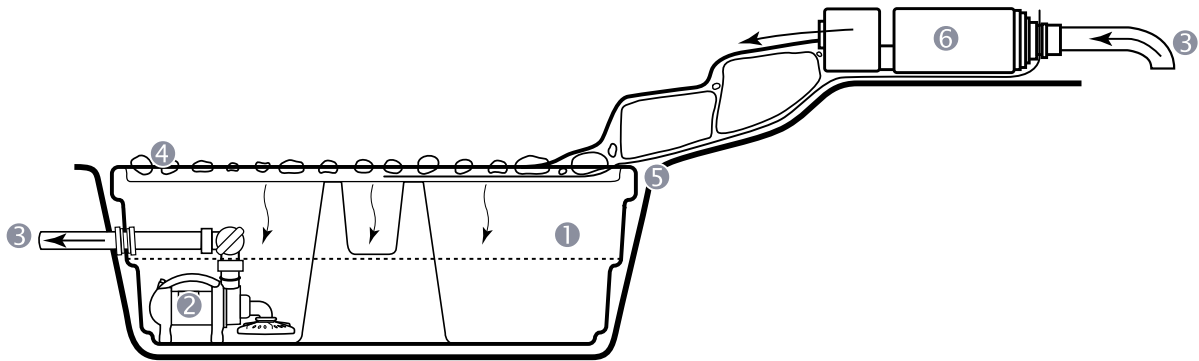
PONDLESS® WATERFALL KITS

A Pondless® Waterfall is simply a re-circulating waterfall or stream without the presence of a pond. Aquascape Pondless Waterfall Kits work by pumping water contained in a large, in-ground reservoir up and through the Waterfall Spillway, allowing the water to flow back down into the reservoir. This simple recirculation system requires very little maintenance, is easy to install, and ideal for families with young children or pets that love to play in water.

All waterfall kit components selected work well together to complement and enhance your existing landscape. In just one day you can enjoy the soothing sight and sound that a waterfall adds to your yard.

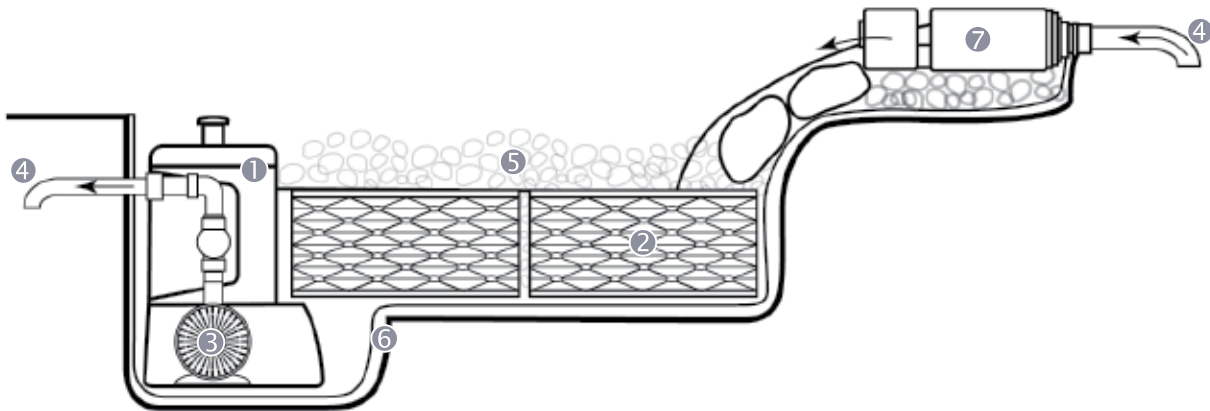
Pondless® Waterfall Kits

The Backyard Waterfall Landscape Fountain Kit



- ① AquaBasin® 45
Provides a basin for water to be stored and protects the pump
- ② Pond Pump
Pumps water from the water storage area back to the spillway to create a waterfall
- ③ Pipe
Directs water from the basin/reservoir to the Waterfall Spillway
- ④ Rocks and Gravel (not included)
Naturalizes the waterfall and filters the water
- ⑤ Liner and Underlayment
Creates the form of the waterfall and stream
- ⑥ Waterfall Spillway
Provides a smooth, flowing waterfall

The Pondless® Waterfall Kit



- ① Pondless® Waterfall Vault
Protects pump
- ② AquaBlox® Water Storage Modules
Provides water storage
- ③ Pond Pump
Pumps water from the underground reservoir to the spillway to create a waterfall
- ④ Pipe
Directs water from the basin/reservoir to the Waterfall Spillway
- ⑤ Rocks and Gravel (not included)
Naturalizes the waterfall and filters the water
- ⑥ Liner and Underlayment
Creates the form of the waterfall stream and holds water in the water storage area
- ⑦ Waterfall Spillway
Provides a smooth, flowing waterfall

DIY Backyard Pondless® Waterfall Kits

Aquascape offers two small waterfall kits that are perfect for the DIY customer.



Backyard Waterfall Landscape Fountain Kit
#83013



DIY Backyard Waterfall Kit
#83001

Comparison Chart

Model	Backyard Waterfall Landscape Fountain Kit	DIY Backyard Waterfall Kit
Waterfall Spillway	✓	✓
Vault/Basin	AquaBasin 45	Pondless Waterfall Vault
AquaBlox	—	(2) Small
Pump*	EcoWave 2000 Pond Pump	EcoWave 2000 Pond Pump
Pipe	Flexible PVC 40mm x 4.5m	Kink-Free 40mm x 7.62m
Liner Material	Firestone 1.02mm EPDM (Fish Safe)	Firestone 1.02mm EPDM (Fish Safe)
Liner Size	3.05m x 2.5m	3.05m x 3.65m
Underlayment	✓	12m2
LED Lighting Package	—	—
Automatic Dosing System	—	—
Installation Kit**	✓	✓
Welcome Kit	—	—
Packaged Weight	80kg	51kg
Packaged Dimensions	122cmL x 101cmW x 89cmH Palletized	104cmL x 51cmW x 64cmH

* Options vary based on kit size.

**Installation Kit includes: Fittings, Silicone Sealant, Pond and Waterfall Foam Sealant
Finished Pondless Waterfall size may vary based on shape and rock size.

Professional Pondless® Waterfall Kits

Aquascape Professional Pondless® Waterfall Kits are available in three sizes for those who wish to build a larger waterfall with contractor-grade products.



Small Pondless® Waterfall Kit
2m Stream
#53038



Medium Pondless® Waterfall Kit
5m Stream
with AquaSurge® 3000 Pond Pump
#53039



Large Pondless® Waterfall Kit 8m Stream
with AquaSurge® 4000 Pond Pump
#53041
with AquaSurge® 4000-8000 Adjustable Flow
Pond Pump
#53041ADJ



Comparison Chart

Model	Small Pondless Waterfall Kit 2m Stream	Medium Pondless Waterfall Kit 5m Stream	Large Pondless Waterfall Kit 8m Stream
Waterfall Spillway	✓	✓	✓
Vault/Basin	Pondless Waterfall Vault	Pondless Waterfall Vault	Pondless Waterfall Vault
AquaBlox	(3) Small	(5) Small	(5) Large
Pump*	AquaSurge 3000 Pond Pump	AquaSurge 3000 Pond Pump	AquaSurge 4000 Pond Pump AquaSurge 4000-8000 Adjustable Flow Pond Pump (#53041ADJ)
Pipe	Flexible PVC 40mm x 7.62m	Flexible PVC 50mm x 7.62m	Flexible PVC 50mm x 7.62m
Liner Material	Firestone 1.02mm EPDM (Fish Safe)	Firestone 1.02mm EPDM (Fish Safe)	Firestone 1.02mm EPDM (Fish Safe)
Liner Size	3.05m x 3m (Reservoir) 3.05m x 3m (Stream)	3.05m x 3.65m (Reservoir) 3.05m x 6.1m (Stream)	3.65m x 4.88m (Reservoir) 3.05m x 9.15m (Stream)
Underlayment	12m ²	12m ²	18m ²
LED Lighting Package**	—	✓	✓
Automatic Dosing System	✓	✓	✓
Installation Kit**	✓	✓	✓
Welcome Kit	—	—	—
Packaged Weight	68kg	136kg	172kg
Packaged Dimensions	94cmL x 61cmW x 71cmH	122cmL x 102cmW x 61cmH Palletized	122cmL x 102cmW x 79cmH Palletized

* Options vary based on kit size.

LED Lighting Package includes: Medium Kits (2) 1-Watt LED Waterfall and Up Lights, Large Kits (3) 1-Watt LED Waterfall and Up Lights, 35-Watt Transformer with Photocell, 3-Way Splitter and 7.62m Quick-Connect Extension Cable

***Installation Kit includes: Silicone Sealant, EPDM Liner Patch, Pond and Waterfall Foam Sealant, Christy's Red Hot Blue Glue
Finished Pondless Waterfall size may vary based on shape and rock size.

Deluxe Pondless® Waterfall Kits

NEW

Aquascape Deluxe Pondless® Waterfall Kits include all the components found in standard medium and large Aquascape Pondless Waterfall Kits, but are enhanced with the addition of an LED color-changing light package. Connect the pump and lights to the Smart Control App and control them with your smartphone or tablet.



Medium Deluxe Pondless® Waterfall Kit
5m Stream
#53068



Large Deluxe Pondless® Waterfall Kit
8m Stream
#53069

Comparison Chart

Model	Medium Deluxe Pondless Waterfall Kit 5m Stream	Large Deluxe Pondless Waterfall Kit 8m Stream
Waterfall Spillway	✓	✓
Vault/Basin	Pondless Waterfall Vault	Pondless Waterfall Vault
AquaBlox	(5) Small	(5) Large
Pump*	AquaSurge 3000 Pond Pump	AquaSurge 4000-8000 Adjustable Flow Pond Pump
Faux Driftwood 35"	—	—
Pipe	Flexible PVC 50mm x 7.62m'	Flexible PVC 50mm x 7.62m
Liner Material	Firestone 1.02mm EPDM (Fish Safe)	Firestone 1.02mm EPDM (Fish Safe)
Liner Size	3.05m x 3.65m (Reservoir) 3.05m x 6.1m (Stream)	3.65m x 4.88m (Reservoir) 3.05m x 9.15m (Stream)
Underlayment	12m2	18m2
Pump Check Valve Assembly	✓	✓
LED Color-Changing Lighting Package**	✓	✓
Automatic Dosing System for Fountains	✓	✓
Installation Kit***	✓	✓
Welcome Kit	—	—
Packaged Weight	147kgb	184kg
Packaged Dimensions	122cmL x 102cmW x 61cmH Palletized	122cmL x 102cmW x 79cmH Palletized

* Options vary based on kit size.

** LED Color-Changing Lighting Package includes: Medium Kit (2) 2-Watt Color-Changing Waterfall and Up Lights, Large Kit (3) 2-Watt Color-Changing Waterfall and Up Lights, Color-Changing Lighting Control Hub, 35-Watt Transformer, 3-Way Color-Changing Splitter, 7.62m Color-Changing Extension Cable

***Installation Kit includes: Silicone Sealant, EPDM Liner Patch, Pond and Waterfall Foam Sealant, Christy's Red Hot Blue Glue
Finished Pondless Waterfall size may vary based on shape and rock size.



RECREATION PONDS

The non-structural Recreation Ponds are built into the ground by terracing the earth to create your pond's shape and depth, prior to placing the geotextile underlay and Firestone EPDM rubber liner membrane. Once in place the liner is then covered with rock and pebble to create a natural appearance. Each design is unique and can incorporate features such as beach areas, diving rocks, bench seats and decorative spill bowls, all dependent on the size of the area and your budget.

An Aquascape Recreational Pond is designed as a natural Ecosystem to work with mother nature to provide crystal clear water, utilising an Aquascape Wetland Filtration System.

A wetland works just like a biological filter, by creating an area in your pond thick with naturally-filtering plants, as well as rocks and gravel, which provide a surface for bacterial colonisation ... nature's perfect filters. So a wetland, while naturally beautiful and pleasing to the eye, is a great filtration method, and will help keep your water looking crystal clear.

Recreation Ponds



Recreation Pond Kit - 7m x 5m x 1.7m

#RECPONDKIT

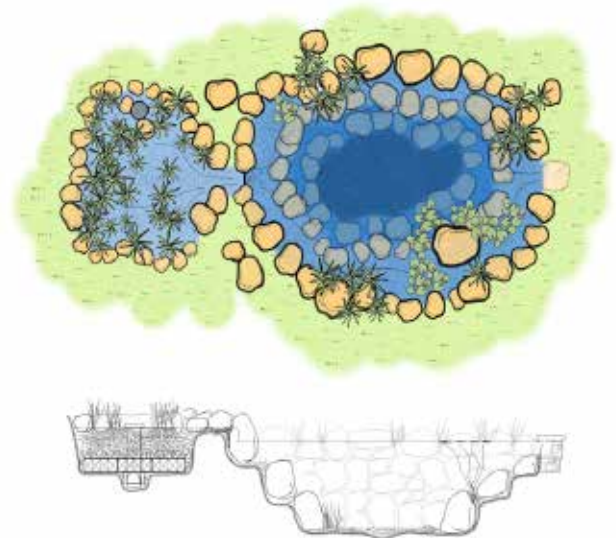
The Aquascape Recreation Pond Kit comes complete with everything you need to build a beautiful 7m x 5m x 1.7m entry level Recreation Pond. All necessary components are provided in a convenient, all-in-one kit that takes the guesswork out of purchasing individual components. We have allowed for a 2.5m x 3m Wetland Biological Filter, allowing for crystal clear water year round.

Included in kit:

- Firestone liner for both pond and wetland
- Heavy Duty Underlay
- Small AquaBlox for Wetland Filter
- Skimmer 1000
- Pondless Snorkel Vault & Cap
- Pondless Centipede Module
- AquaSurge pumps to run wetland and jets
- Dual Union Check Valves
- Installation Kit including Waterfall Foam and various fittings
- Lighting package
- Aeration Package
- Installation guide

Optional Extras to consider:

- IonGen system - used for controlling String Algae
- Pond Powerhead, transformer and LV Cable



We highly recommend using one of our Certified Aquascape Contractors (CAC's) to build the Recreational Pond for you or at least have them consult and assist on some of the project.

Larger Recreation Ponds are designed and specified on request.



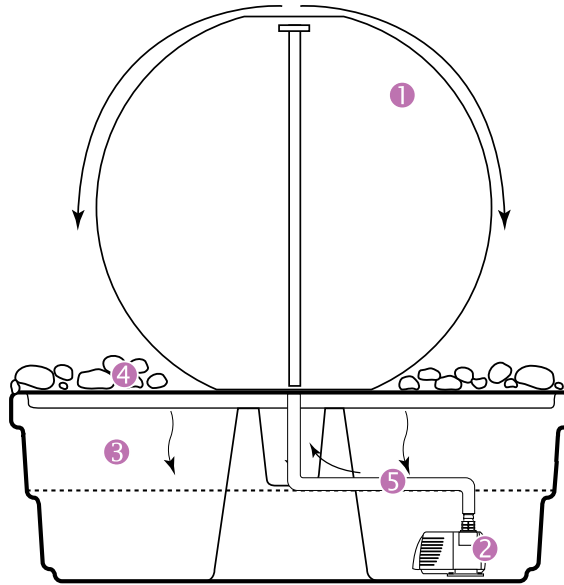
LANDSCAPE FOUNTAIN KITS

Aquascape Landscape Fountain Kits make it easy to add a splash of water to any space in your yard, making them an ideal choice for any space. Available in a variety of options, you're sure to find one that suits your unique style.

Landscape Fountain Kits come with all the necessary components to install a recirculating fountain in just a few hours. A sub-surface basin holds the water and pump, which pushes the water up through the fountain for a stunning display. Install just one fountain, or group several together for a truly unique water feature. Just add decorative rock or mulch to complete your fountain. Then sit back and enjoy the soothing sights and sounds of running water.

Landscape Fountain Kits

The Landscape Fountain Kit



- ① **Fountain**
Choose from any one of the nine Aquascape fountain options
- ② **Pond Pump**
Pumps water from the underground reservoir through the center of the fountain
- ③ **AquaBasin® 45**
Provides a basin for water to be stored and protects the pump
- ④ **Rocks and Gravel (not included)**
Disguises the AquaBasin and naturalizes the water feature
- ⑤ **Pipe**
Directs water from the basin to the fountain

Landscape Fountain Kits

Aquascape Landscape Fountain Kits come complete with all the materials needed to create a beautiful focal point in any outdoor space, including an AquaBasin® 45, pipe, and the properly-sized pump. The Mongolian Basalt Columns and the Pagoda Fountain Rocks include Pond and Waterfall Foam Sealant.



Spillway Bowl and Basin
Landscape Fountain Kit

#58087

Packaged Weight: 173kg
Dimensions: 102cmL x 122cmW x 168cmH
Pump Included: EcoWave 2000 Pond Pump
Pipe Included: Pre-Cut Kink-Free - 19mm x 3.8m



Stacked Slate Spillway Wall 32"
Landscape Fountain Kit

#78269

Packaged Weight: 72kg
Dimensions: 102cmL x 122cmW x 138cmH
Pump Included: EcoWave 2000 Pond Pump
Pipe Included: (3) Clear Vinyl Tubing



Medium Stacked Slate Sphere
Landscape Fountain Kit

#78290

Packaged Weight: 89kg
Dimensions: 102cmL x 122cmW x 117cmH
Pump Included: Ultra 1500 Pond Pump
Pipe Included: Clear Vinyl Tubing



Medium Stacked Slate Urn
Landscape Fountain Kit

#58090

Packaged Weight: 82kg
Dimensions: 102cmL x 122cmW x 138cmH
Pump Included: Ultra 1100 Pond Pump
Pipe Included: Clear Vinyl Tubing



Medium Scalloped Urn
Landscape Fountain Kit

#78270

Packaged Weight: 66kg
Dimensions: 102cmL x 122cmW x 132cmH
Pump Included: Ultra 1100 Pond Pump
Pipe Included: Clear Vinyl Tubing



Medium Rippled Urn
Landscape Fountain Kit

#78271

Packaged Weight: 75kg
Dimensions: 102cmL x 122cmW x 170cmH
Pump Included: Ultra 1100 Pond Pump
Pipe Included: Clear Vinyl Tubing



Mongolian Basalt Column 30"
Landscape Fountain Kit

#58065

Packaged Weight: 318kg
Dimensions: 102cmL x 122cmW x 79cmH
Pump Included: Ultra 800 Pond Pump
Pipe Included: Pre-Cut Kink-Free — 19mm x 1.8m
Includes Pond and Waterfall Foam Sealant



Mongolian Basalt Columns Set
of 3 Landscape Fountain Kit

#58089

Packaged Weight: 437kg
Dimensions: 102cmL x 122cmW x 79cmH
Pump Included: Ultra 2000 Pond Pump
Pipe Included: Pre-Cut Kink-Free — 3/4" x 15'
Includes Pond and Waterfall Foam Sealant



Pagoda Fountain Rocks Set of 3
Landscape Fountain Kit

#58086

Packaged Weight: 594 lb
Dimensions: 102cmL x 122cmW x 76cmH
Pump Included: Ultra 2000 Pond Pump
Pipe Included: Pre-Cut Kink-Free — 19mm x 4m
Includes Pond and Waterfall Foam Sealant

Special order only



FILTRATION

The Science Behind Filtration

There are two forms of filtration critical to maintaining a healthy ecosystem pond: mechanical and biological. Through mechanical and biological filtration, ecosystem ponds will process fish waste, uneaten fish food, leaves, and runoff from lawns.

In ecosystem ponds, mechanical filtration is provided by a pond skimmer and biological filtration is provided by a BioFalls® Filter

How to Choose the Right Filter for Your Pond

To keep your pond or water feature looking beautiful, it is important to provide proper filtration. Features and benefits of Aquascape filters are noted in the following pages, making it simple and easy to select the correct filter for your application.

New Ponds

The advantage of choosing the right filter before you get started should not be underestimated. Aquascape takes an ecosystem approach to water gardening. This approach uses a pond skimmer and BioFalls Filter. The skimmer removes leaves and debris from the surface of the pond, optimizing water quality. A BioFalls Filter performs two very important functions; it supports mechanical and biological filtration and provides a great start to any waterfall.

Existing Ponds

In some circumstances it can be challenging to add a skimmer and BioFalls to an existing system. Perhaps the shape or building technique makes it prohibitive. In this situation we recommend the use of an UltraKlean™ Pond Filter, Submersible Pond Filter, Pond Waterfall Filter, or Pond Filter Urn. These filters will retrofit quickly into existing systems and provide efficient mechanical and biological filtration.

Pond Skimmer Filters

Pond skimmers are designed to eliminate water quality problems and reduce maintenance by removing debris before it sinks to the bottom of the pond, allowing a pond to be installed anywhere, even beneath trees. Because the skimmer removes debris before it reaches the pump, it acts as a pre-filter, reducing pump maintenance and making pump access quick and easy. All pond skimmers include a limited lifetime warranty.

U.S. PATENT 7,144,501



Signature Series
200 Pond Skimmer
#43020



Signature Series
400 Pond Skimmer
#43021



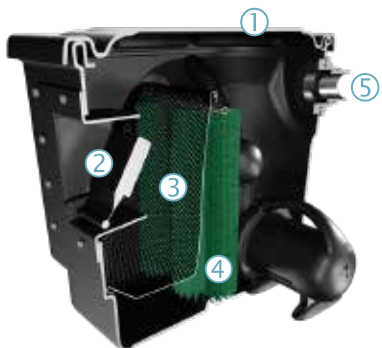
Signature Series
1000 Pond Skimmer
#43022



Comparison Chart

Model	Signature Series 200 Pond Skimmer	Signature Series 400 Pond Skimmer	Signature Series 1000 Pond Skimmer
Pond Size	up to 20m ²	up to 40m ²	up to 95m ²
Pump Flow Rate	up to 12,000 LPH	up to 15,000 LPH	up to 38,000 LPH
Recommended Pumps	EcoWave and AquaSurge Pumps	EcoWave, AquaSurge, AquaSurge Adjustable Flow	EcoWave, AquaSurge, AquaSurge and SLD Adjustable Flow
Weir Size	15cm	15cm	20cm
Adjustable Height Face Plate	—	—	✓
Locking Weir Door	—	✓	✓
Leaf & Debris Net	✓	—	—
Leaf & Debris Rigid Basket	—	✓	✓
Filter Brush Cartridge	Optional	—	—
Overflow Kit	Optional	✓	✓
Filter Mat	—	✓	✓
Faux-Rock Lid	—	✓	✓
Dimensions	51cmL x 45cmW x 45cmH	55cmL x 52cmW x 63.5cmH	54cmL x 56cmW x 68cmH
Warranty	Limited Lifetime	Limited Lifetime	Limited Lifetime
Packaged Weight	6.7kg	11.3kg	15.5kg
Packaged Dimensions	57cmL x 51cmW x 47cm"H	66cmL x 52cmW x 63.5cmH	63.5cmL x 61cmW x 68cmH

Pond Skimmer Filters



Features and Benefits of the Signature Series 200 Pond Skimmer

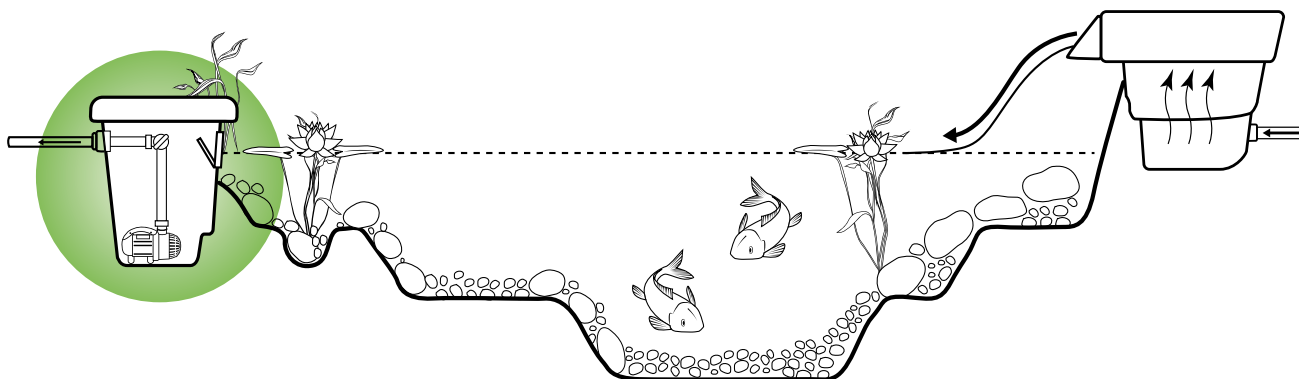
- ① **Custom Lid:** Durable lid provides protection of the filter components
- ② **6" Weir:** A floating weir, designed to raise and lower to match the water level in the pond
- ③ **Debris Net:** Large volume, debris net makes maintenance easier than ever
- ④ **Optional Filter Brush (#99772):** Handles any debris that finds its way past the debris net (sold separately)
- ⑤ **Optional Overflow (#88036):** Helps maintain proper water level in an overflow situation (sold separately)



Features and Benefits of the Signature Series 400 and 1000 Pond Skimmers

- ① **Faux-Rock Lid:** Natural looking faux-rock lid conceals the filter in the surrounding landscape
- ② **Patented Faceplate:** Patented adjustable faceplate allows you to adjust the water level after installation (1000 only)
- ③ **Rigid Debris Basket:** Large volume, rigid debris basket makes maintenance easier than ever
- ④ **Professional, Watertight Seals:** Injection molded fittings provide professional, watertight seals
- ⑤ **Corrosion-Resistant Hardware:** Corrosion-resistant, non-cross-threading hardware stands up to the elements
- ⑥ **Rigid Filter Mat:** Rigid filter mat effectively removes smaller sediment and debris
- ⑦ **Rounded Shape:** Rounded shape provides maximum strength
- ⑧ **Locking Weir Door:** Innovative locking weir door for ease of maintenance

Application



BioFalls® Filters

Aquascape Professional Grade BioFalls® Filters provide the most filtration and highest water flows in the market. Durable, rotationally-molded polyethylene construction ensures maximum strength, and all Signature Series BioFalls Filters include a limited lifetime warranty.



Signature Series 1000 BioFalls® Filter

#99774

Signature Series 2500 BioFalls® Filter

#09020

Signature Series 6000 BioFalls® Filter

with 2" Bulkhead

#29319

Signature Series 6000 BioFalls® Filter

with 3" Bulkhead

#29384

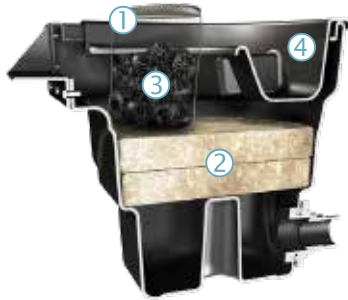
Comparison Chart

Model	Signature Series 1000 BioFalls Filter	Signature Series 2500 BioFalls Filter	Signature Series 6000 BioFalls Filter with 2" Bulkhead	Signature Series 6000 BioFalls Filter with 3" Bulkhead
Filters Ponds up to	4,000 L	10,000 L	23,000 L	23,000 L
Pump Flow Rate	up to 11,400 LPH	up to 18,900 LPH	up to 56,800 LPH	up to 56,800 LPH
Spillway Width	38cm	55cm	71cm	71cm
Bulkhead Port	Single 50mm	Dual 50mm	Dual 50mm	Dual
Fittings Included	40mm PVC slip and 40mm kink-free insert	Two 50mm PVC slip	Two 50mm PVC slip	Two 76mm PVC slip
Rock Tray	Optional	✓	✓	✓
Filter Mats	Two Included	Two Included	Two Included	Two Included
BioBalls (recommended)	Holds 100*	Holds 200*	Holds 400*	Holds 400*
Filter Media Nets	One Included	Two Included	Three Included	Three Included
Dimensions	45cmL x 52cmW x 43cmH	75cmL x 61cmW x 51cmH	102cmL x 114cmW x 75cm"H	102cmL x 114cmW x 75cm"H
Warranty	Limited Lifetime	Limited Lifetime	Limited Lifetime	Limited Lifetime
Packaged Weight	5kg	13kg	25kg	25kg
Packaged Dimensions	47cmL x 52cmW x 45cmH	76cmL x 61cmW x 61cmH	102cmL x 45"W x 29.5"H	40"L x 114cmW x 75cmH

* NOTE: BioBalls not included. See page 28.

BioFalls® Filters

Features and Benefits of the BioFalls® 1000 Filter



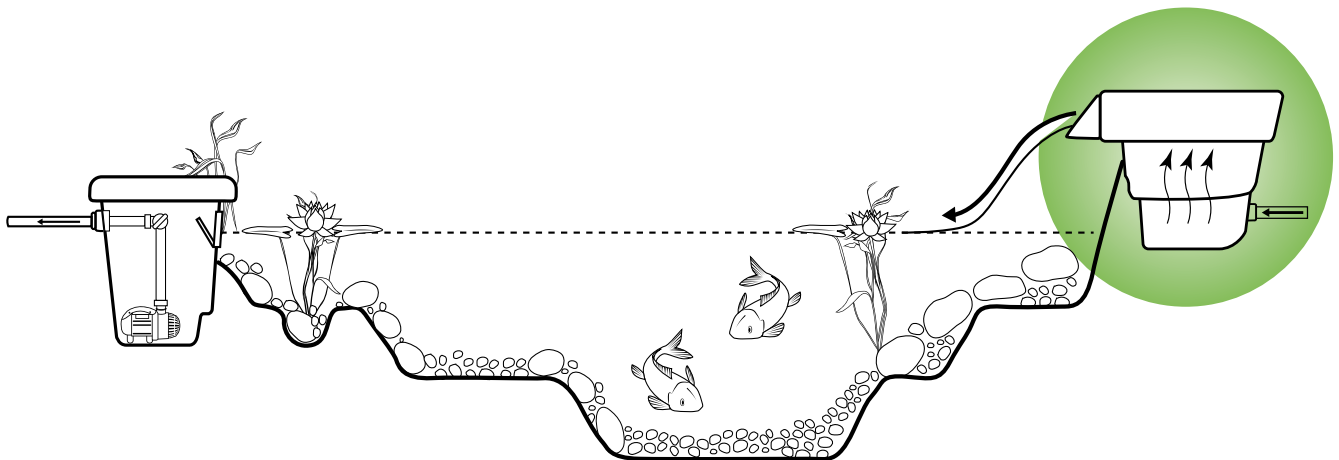
- ① **Filter Media Net:** BioFalls Filter Media Net (BioBalls sold separately)
- ② **Biological Filter Mats:** Two standard biological filter mats
- ③ **Optional BioBalls Filter Media (#98464):** Supports effective biological filtration by providing textured surface area for beneficial bacteria to grow and colonize (BioBalls sold separately)
- ④ **Optional Rock Tray (#98285):** Holds rocks, plants, and gravel, naturalizing the filter into the surrounding landscape (Rock Tray sold separately)

Features and Benefits of the BioFalls® 2500 and 6000 Filter



- ① **Reversible Waterfall Lip:** Reversible waterfall lip provides the option of using a natural stone spillway
- ② **Removable Rock Tray:** Removable rock tray holds rocks, plants, and gravel, helping to naturalize the filter into the landscape
- ③ **Filter Media Net:** BioFalls Filter Media Net (BioBalls sold separately)
- ④ **Corrosion-Resistant Hardware:** Corrosion-resistant, non-cross-threading hardware stands up to the elements
- ⑤ **Biological Filter Media:** Two Poly-Flo ESA biological filter mats provide 50% more surface area than traditional filter mats
- ⑥ **Multiple Plumbing Options:** Two bulkhead ports provide multiple plumbing options
- ⑦ **Support Rack:** Filter support rack ensures evenly distributed water flow through filter mats and provides structural strength to the walls of the filter
- ⑧ **Circular Shape:** Circular shape provides maximum strength and makes it easy to camouflage into the landscape

Application



Additional Pond Filters

These filters are ideal for smaller ponds, including preformed ponds or container water gardens. These filters can be easily incorporated into existing ponds, and are ideal for use with Aquascape Ultra, EcoWave®, AquaSurge®, or AquaForce® Pumps.



Pond Waterfall Filter

#77020

Packaged Weight: 5kg

- Provides efficient mechanical and biological filtration for ponds up to 3,800 litres
- Includes rigid filter mat and biological filter media net



Features of the Pond Waterfall Filter

- ① Durable, circular construction ensures maximum strength
- ② Filter mat provides ideal mechanical and biological filtration
- ③ Included filter media net holds biological filter media (filter media sold separately)
- ④ Filter rack provides support for filter media
- ⑤ Fitting accepts 25mm, 32mm, and 40mm pipe sizes



Small Pond Filter Urn

#77006

Packaged Weight: 7.3kg

Dimensions: 51cmL x 28cmW x 28cmH



Features of the Pond Filter Urn

- ① Removable filter lid allows easy access for cleaning
- ② Decorative filter housing can be easily incorporated into any setting
- ③ Inlet hose accommodates most small pumps
- ④ Mechanical filtration removes debris
- ⑤ Ceramic filtration rings provide bacteria with a large surface area for colonization



Large Pond Filter Urn

#77011

Packaged Weight: 11.3kg

Dimensions: 71cmL x 40cmW x 40cmH

Comparison Chart

Model	Small Pond Filter Urn	Large Pond Filter Urn	Pond Waterfall Filter
Maximum Flow Rate	1500 LPH	4,000 LPH	20,000 LPH
Pond Volume	2000 Litres	3,800 Litres	3,800 Litres
Inlet Fitting Dimensions	13mm	19mm	25mm, 32mm, 40mm
Filter Dimensions	51cmL x 28cmW x 28cmH	71cmL x 40cmW x 40cmH	51cmL x 38cmW x 32cmH

Submersible Pond Filter

The Aquascape Submersible Pond Filter provides efficient mechanical and biological filtration. This unobtrusive filter can be added to the intake of almost any submersible water pump, resulting in crystal clear water while reducing pond pump maintenance.



Submersible Pond Filter
#95110

Specification Chart	
Model	Submersible Pond Filter
Pond Volume	up to 3,000 Litres
Fitting Included	19mm, 25mm, 32mm
Pr-Filtration Sponge	✓
Ceramic Filtration Rings	✓
Filter Dimensions	33cmL x 28cmW x 13cmH
Packaged Weight	5kg
Packaged Dimensions	30cmL x 15cmW x 32.5cmH



Features and Benefits

- ① **Cage:** Large surface area and small openings prevents large debris from clogging the filter
- ② **Pre-Filtration Sponge:** Provides efficient mechanical and biological filtration and dramatically reduces pump maintenance
- ③ **Threaded Intake and Multi-Hose Adapters:** Included adapters make it easy to adapt to most pond pumps with a small piece of kink-free pipe or threaded fitting
- ④ **Ceramic Filtration Rings:** Provide surface area for beneficial bacteria to colonize, providing efficient biological filtration

BioBalls Biological Filter Media

Aquascape BioBalls provide a textured surface area (19 square inches per BioBall) for beneficial bacteria to colonize and grow, keeping pond water clean, clear, and healthy. BioBalls are easy to clean, long lasting, and lightweight, making them the ideal filtration media for use in biological filters such as BioFalls®.



BioBalls Biological Filter Media

100 Count
#98464

Packaged Weight: 1kg
Packaged Dimensions: 20cmL x 20cmW x 17cmH

- 100 BioBalls
- 3.81cm diameter
- Media net included



BioBalls Biological Filter Media

1,000 Count
#56014

Packaged Weight: 11kg
Packaged Dimensions: 46cmL x 30cmW x 36cmH

- 1,000 BioBalls
- 3.81cm diameter
- Media nets sold separately



BioBalls Filter Media Net

#29069

Packaged Weight: 0.11kg
Packaged Dimensions: 19cmL x 27cmW x 3cmH

Filter Rolls and Mats

Aquascape Filter Media Rolls and Rigid Filter Mats are designed to fit a wide variety of pond skimmers and filters. They can be cut to size easily using a sharp knife or pair of scissors.

Special order only



Coarse Filter Media Roll

3cm Thick
#99321

Packaged Weight: 4kg
Product dimensions: 25cmL x 142cmW

Special order only



Coarse Filter Media Roll

5cm Thick
#99323

Packaged Weight: 4.5kg
Product dimensions: 25cmL x 142cmW

Special order only



Dense Filter Media Roll

3cm Thick
#99325

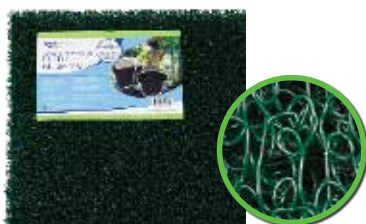
Packaged Weight: 4kg
Product dimensions: 25cmL x 142cmW



Low Density Rigid Filter Mat

#80003

Packaged Weight: 2kg
61cmL x 99cmW x 3.8cm Thick



Medium Density Rigid Filter Mat

#80004

Packaged Weight: 1.6kg
61cmL x 99cmW x 3.8cm Thick



High Density Rigid Filter Mat

#80005

Packaged Weight: 1.5kg
61cmL x 99cmW x 3.8cm Thick

UltraKlean™ Pond Filters

Aquascape UltraKlean™ Pond Filters provide optimum water quality and crystal clear pond water. The unique sponge-free design minimizes maintenance and maximizes efficient mechanical and biological filtration. The simple-to-use cleaning feature allows the unit to be backwashed in less than five minutes without opening the canister or getting hands dirty. It efficiently traps dirt and debris and integrates easily into new or existing ponds. UltraKlean Pond Filters include a high-output UV clarifier and electronic bulb-saver function that eliminates green water caused by suspended algae.

Not Available in Australia



UltraKlean™ 2000 Pond Filter
#95053



UltraKlean™ 3500 Pond Filter
#95054

Comparison Chart

Model	UltraKlean 2000	UltraKlean 3500
Average Pond Size Recommendation	8,000 L	13,000 L
Maximum Flow Rate (GPH)	10,000 LPH	20,000 LPH
UV Wattage	14	28
Power Cord Length	6m	6m
Discharge Hose Diameter	25mm, 32mm, 40mm	25mm, 32mm, 40mm
Dimensions	33cmL x 33cmW x 43cmH	33cmL x 33cmW x 55cmH
Warranty	3-Year Limited	3-Year Limited
Packaged Weight	8kg	10kg
Packaged Dimensions	36cmL x 36cmW x 46cmH	36cmL x 36cmW x 57cmH

Features and Benefits



- ① UV clarifier/sterilizer on/off LED indicator light
- ② Cleaning indicator light signals when it's time to backwash
- ③ Electronic ballast ensures optimum wattage and bulb output
- ④ UV bulb-saver timer feature maximizes bulb life and provides an ideal time to add bacteria
- ⑤ Backwash valve and discharge shutoff valve make it easy to quickly clean the filter
- ⑥ Water inlet diffuser evenly distributes debris, maximizing mechanical filtration
- ⑦ UV clarifier/sterilizer eliminates single-celled algae commonly known as green water
- ⑧ BioBalls provide efficient biological/mechanical filtration
- ⑨ Backwash swirl diffuser efficiently churns the water to clean the filter media
- ⑩ Fittings Include: (6) 25mm, 32mm, 40mm mult-hose adapters, backwash cap, (8) washers, backflush valve, and threaded adapter

UltraKlean™ Pond Filtration Kits

Aquascape UltraKlean™ Pond Filtration Kits take the guesswork out of selecting the correct pump and filtration combination for any new or existing pond. Three kit sizes are available, ensuring there is a filtration kit for almost any pond.



UltraKlean™ 6000
Pond Filtration Kit
#95058



UltraKlean™ 10000
Pond Filtration Kit
#95059

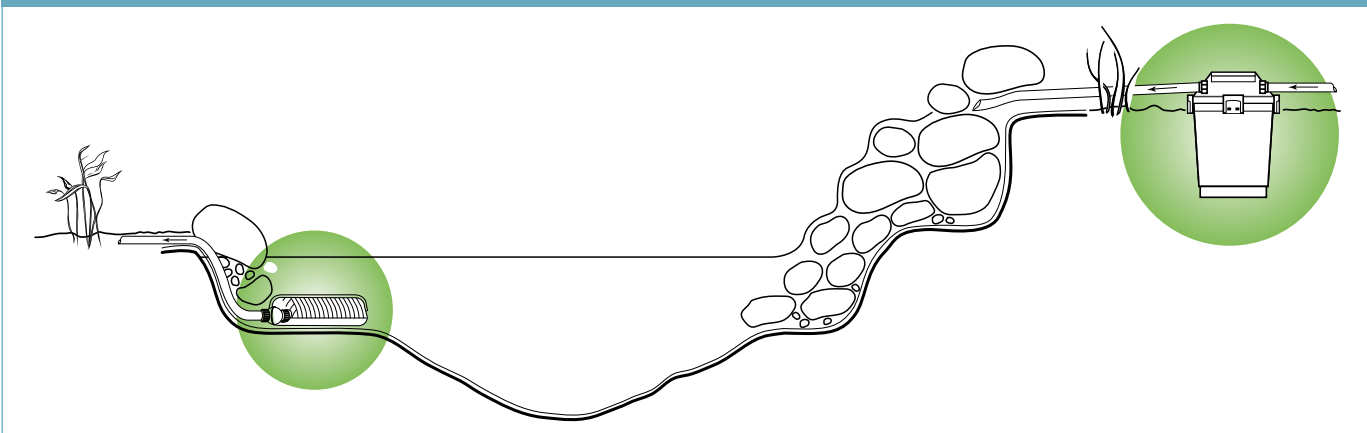


UltraKlean™ 13000
Pond Filtration Kit
#95060

Comparison Chart

Model	UltraKlean 6000 Pond Filtration Kit	UltraKlean 10000 Pond Filtration Kit	UltraKlean 13000 Pond Filtration Kit
Pond Size	up to 6,000 L	up to 10,000 L	up to 13,000 L
UltraKlean Pond Filter Size	UltraKlean 3500	UltraKlean 3500	UltraKlean 3500
UV Clarifier/Sterilizer	28-Watt	28-Watt	28-Watt
Solids-Handling Pond Pump	AquaForce 1000	AquaForce 2700	AquaForce 5200
Pipe	Kink-Free Pipe 40mm x 7.5m	Kink-Free Pipe 140mm x 7.5m	Kink-Free Pipe 40mm x 7.5m
Stainless Steel Hose Clamps	4	4	4
2-Way Flow Control Valve	—	—	✓
Packaged Weight	20kg	21kg	22kg
Packaged Dimensions	23.5"L x 21.5"W x 21"H	23.5"L x 21.5"W x 22.5"H	23.5"L x 21.5"W x 23.5"H

Application



Waterfall Spillway

The Aquascape Waterfall Spillway is a cost-effective solution to create the starting point of a beautiful waterfall and stream. Use it to create a smooth, consistent, leak-free water flow. Pair multiple Waterfall Spillways together to design larger, more complex waterfall configurations. The durable design makes it easy to disguise by allowing soil, rocks, or logs to be placed directly on top of the unit. It is an excellent choice for designing additional waterfalls and streams onto new or existing ponds that already have a biological filter, or starting waterfalls on Pondless® Waterfall systems, where, due to the absence of fish, biological filters aren't necessary. The Waterfall Spillway can also be built behind hardscape walls to provide a more formal waterfall design.



Waterfall Spillway 12"/30cm
#77023



Waterfall Spillway 22"/56cm
#77000

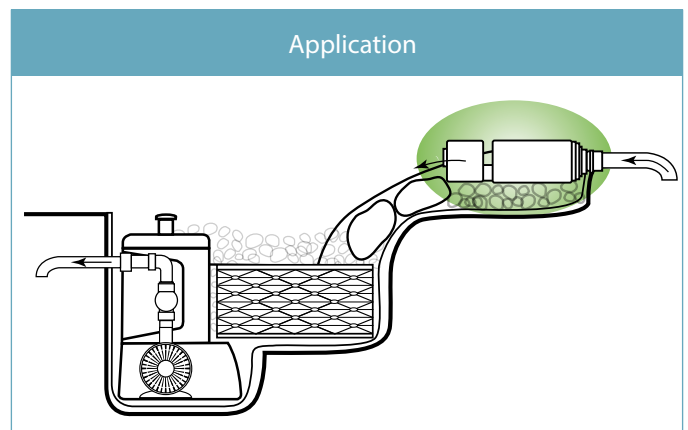


Specification Chart		
Spillway Width	12" / 30cm	22" / 56cm
Bulkhead Port	Single 50mm	Single 50mm
Fittings Included	50mm PVC slip, and 40mm barbed hose fitting	50mm PVC slip, and 40mm barbed hose fitting
Maximum Flow Rate	15,000 LPH	28,000 LPH
Spillway Dimensions	27cmL x 36cmW x 13cmH	45cmL x 61cmW x 13cmH
Packaged Weight	2kg	4kg
Packaged Dimensions	36cmL x 38cmW x 14cmH	61cmL x 43cmW x 14cmH



Features and Benefits

- ① Durable design allows boulders, logs, or other creative landscape material to be set directly on top, helping to camouflage the spillway into the surrounding landscape
- ② Watertight connection using the fitting on the back of the Waterfall Spillway
- ③ Wide spillway opening handles high flow rates
- ④ Internal barriers provide a smooth-flowing waterfall



Pondless® Waterfall Vault

The Pondless® Waterfall Vault is the ideal pump vault for use in Pondless Waterfalls, rainwater harvesting systems, and large fountains, effectively protecting the pump and simplifying maintenance. It is simple to install and maintain and fits a wide range of pump sizes and flow rates. It is also perfect for use with the AquaBlox® Water Storage Modules, as Pondless Waterfall Vault Extensions can be used to extend the height for deeper applications. Both the Pondless Waterfall Vault and Extensions are made from durable rotationally-molded polyethylene. The Pondless Waterfall Vault Extensions simply slide onto the Pondless Waterfall Vault to increase its height for applications using AquaBlox Large Water Storage Modules or taller pumps.



Pondless® Waterfall Vault
#49000



Pondless® Waterfall Vault Extension
#49001

Specification Chart

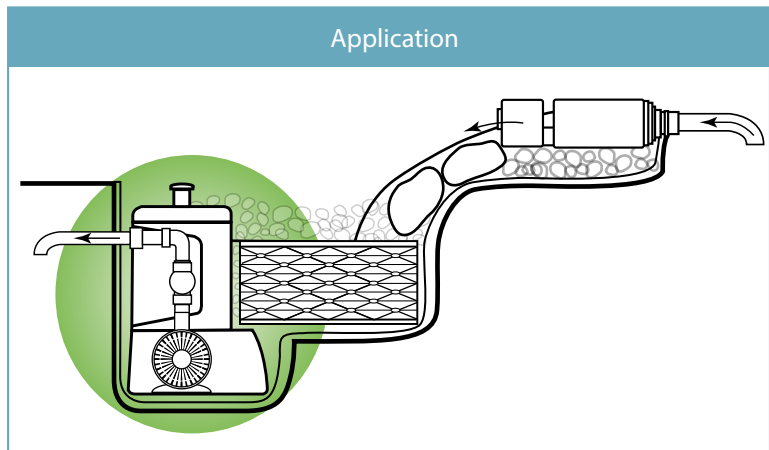
Model	Pondless Waterfall Vault	Pondless Waterfall Vault Extension
Pump Flow Rates	up to 47,000 LPH	—
Access Opening Dimensions	41cmL x 41cmW	41cmL x 41cmW
Dimensions	59cmL x 43cmW x 65cmH	41cmL x 41cmW x 23cmH
Packaged Weight	6.35kg	2.3kg
Packaged Dimensions	59cmL x 46cmW x 57cmH	41cmL x 41cmW x 26cmH



Features and Benefits

- ① Built-in water level inspection port allows the lid to be buried out of sight
- ② Extra wide opening provides easy pump access
- ③ Excellent water circulation through water intakes
- ④ Large interior fits a wide range of pump sizes

Application



AquaBlox® Water Storage Modules

AquaBlox® Water Storage Modules provide an efficient way to maximize water storage capacity in Pondless® Waterfall reservoirs, rainwater harvesting systems, and permeable paver applications. They allow over 3 times more water storage capacity than gravel and hold approximate 28 litres of water per cubic foot, compared to gravel, which holds approximately 8.3 litres of water per cubic foot. The extra water storage capacity means less time topping off the reservoir due to evaporation and allows for a smaller reservoir footprint. It is also easier to clean and less prone to clogging than traditional gravel basins, and uses less labor to excavate and move gravel. AquaBlox also use less liner and geotextile underlayment



AquaBlox® Small Water Storage Module
#70010

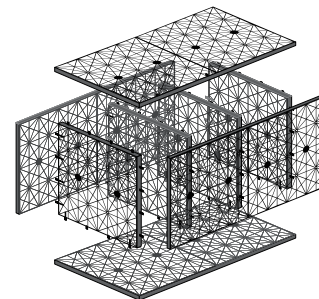
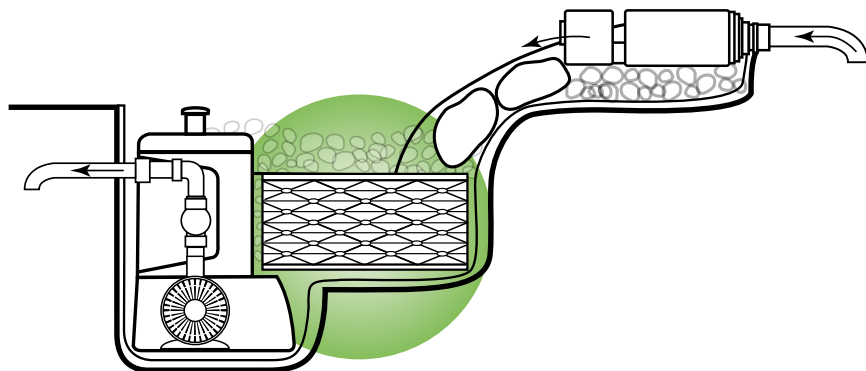


AquaBlox® Large Water Storage Module
#70003

Comparison Chart

Model	Small	Large
Volume	67 Litres	126 Litres
Load Bearing Weights	5,472 lb/sq. ft.	5,472 lb/sq. ft.
Dimensions	68.5cmL x 40.8cmW x 24cmH	68.5cmL x 40.8cmW x 45cmH
Packaged Weight	4kg	7kg
Packaged Dimensions	68.5cmL x 40.8cmW x 11cmH	68.5cmL x 40.8cmW x 11cmH

Application



Takes one minute to assemble!

AquaBlox are assembled on-site, making transportation and installation extremely efficient

Snorkel® and Centipede® Wetland Filter

Our patented Snorkel® Vault and Centipede® Module were specifically designed to tackle the common issues that plague large scale water features. They are modular in design, allowing builders and designers the flexibility to expand the system to meet their needs. It is highly effective at removing sediment (suspended solids) from ponds, improves water clarity, and reduces the need for costly and invasive dredging. The filter system works on earth bottom and liner membrane ponds and is easily retrotitted onto existing ponds. It also reduces the physical and chemical maintenance that goes along with removing algae.



Large Snorkel® Vault and Cap

#29064

Packaged Weight: 12kg



Large Snorkel® Vault Extension

#29068

Packaged Weight: 4.5kg

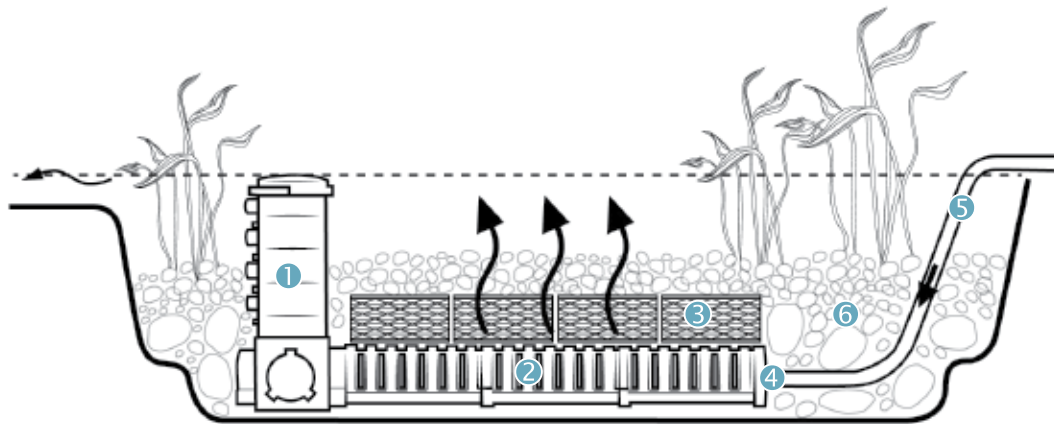


Large Centipede® Module

#29065

Packaged Weight: 13kg

The Wetland Filter



① **Snorkel® Vault:** Allows pump to be dropped in for easy cleaning and has four ports for Large Centipede Module attachment (Large Snorkel Vault Extensions can be used when creating deeper basins).

② **Large Centipede® Module:** Sits at the lowest point in the filter and ensures maximum water distribution and allows for efficient sediment removal during cleaning

③ **AquaBlox®:** Provides water storage

④ **Rubber Coupling:** Creates a water-tight seal

⑤ **Flex PVC Piping:** Directs water to Centipede Module

⑥ **Rocks and Gravel:** Naturalizes the wetland area

Constructed Wetland Filter System Requirements

Pond Size (in m2))	Filter Size (Avg. 1.67m Depth)	Number of Centipede Modules	Number of Snorkel with Extension	Number of Small AquaBlox	Min. Pump Flow LPH
45	2.44m x 3.05m	1	1	16	8,000
90	3.05m x 4.57m	2	1	32	16,000
180	3.65m x 7.62m	4	1	64	32,000
450	7.62m x 7.62m	8	2	128	64,000
675	7.62m x 12.2m	12	2	192	91,000
900	7.62m x 15.25m	16	2	256	121,000
1,350	10.97m x 12.2m	18	3	288	136,000

IonGen™ System G2

The IonGen™ System G2 effectively removes algae without the use of traditional liquid chemicals. Designed with a microprocessor that sends a signal to its ion producing probe, the IonGen helps to control algae throughout the entire water feature. It is simple to install, energy-efficient, and compatible with water containing fish and plants. The IonGen is effective at treating ponds up to 100,000 litres and comes complete with electronic control panel, outdoor-rated



IonGen™ System G2

#95012

Packaged Weight: 2.5kg

Pack Dimensions: 46cmL x 12cmW x 36cmH

EPA REGISTRATION #83739-1



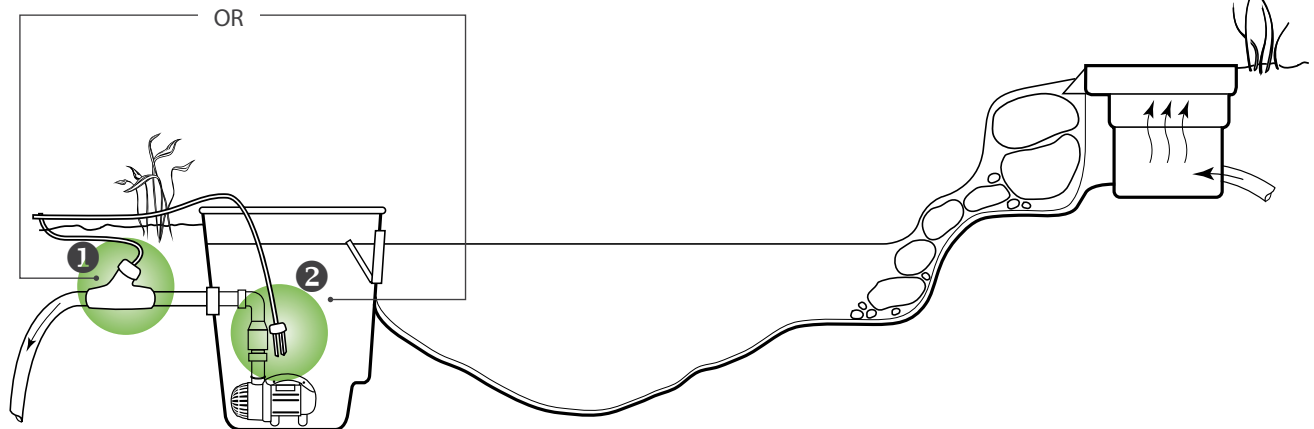
Features and Benefits

- ① Weatherproof control panel
- ② Easy-to-read digital display
- ③ Indicator notifies you when the probe needs to be replaced
- ④ Adjustable ionization level
- ⑤ Durable quick-connect electrical connections
- ⑥ Tool-free probe installation
- ⑦ Angled probe helps deflect debris and reduce clogging
- ⑧ 50mm threaded inlet and outlet
- ⑨ Fittings include: (2) 25mm, 32mm, 40mm multi-hose fitting, (2) 50mm PVC slip fitting

Application

Option 1: Probe can be installed directly into the water feature plumbing

Option 2: Probe can be placed in an area with good water circulation



IonGen™ Accessories

The following accessories and test kits can be used in conjunction with the IonGen™ System.



IonGen™ G2 Probe Holder
#95077

Packaged Weight: 0.2kg
Packaged Dimensions: N/A

- Allows for installation of G2 Probe without flow chamber
- Can be used in a filter, such as a skimmer or a Pondless® Waterfall Vault
- Straps onto any pipe or check valve from 1–4 inches in diameter



IonGen™ Probe for the G2 System
#95016

Packaged Weight: 0.5kg
Pack Dimensions: 8cmL x 5cmW x 15cmH

- For 2nd generation flow chamber
- Includes 1.5m quick-connect cable



IonGen™ Probe for the G1.5 System
#95075

Packaged Weight: 0.5kg
Packaged Dimensions: 7cmL x 7cmW x 12cmH

- For 1st generation PVC tee-style flow chamber and the G2 control panel
- Include a 1.5m quick-connect cable



CU/Copper Test Kit
#96020

Packaged Weight: 0.1kg
Pack Dimensions: 10cmL x 4cmW x 13cmH

- Measures residual copper
- 25 tests per kit



KH/Alkalinity Test Kit
#96019

Packaged Weight: 0.1kg
Pack Dimensions: 10cmL x 4cmW x 13cmH

- Measures KH/alkalinity
- 60 tests per kit



PUMPS

Selecting the proper submersible water pump is extremely important in order to achieve optimum performance of your pond or water feature. There are three basic types of water pumps available in the water feature industry: direct-drive, asynchronous, and magnetically-driven pumps (also known as mag-drive). The following section will help you make the right selection. If you have questions about pump selection, please visit our Pond Pump Selection Guide at aquascapeinc.com/pond-pumps or contact Aquascape Customer Care.

Direct-Drive

Direct-drive water pumps provide consumers with a high torque, high head height pump option. Direct-drive pumps are generally easier to maintain because of their ability to handle larger solids. It is important to note that these pumps have to be operated within a specific performance curve to optimize lifespan.

Mag-Drive

Mag-drive water pumps are a simple and easy-to-use solution for small water features including decorative fountains and spitters. These pumps are easy to retrofit into existing water features. Mag-drive pumps have only one moving part, making them inexpensive and easy to maintain. Mag-drive pumps are also extremely quiet and energy-efficient.

Asynchronous

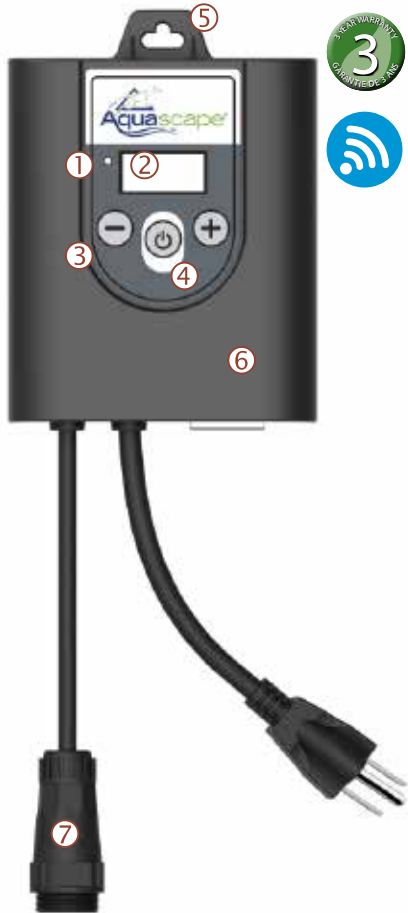
Asynchronous water pumps are a hybrid between a direct-drive and mag-drive pump. They have only one moving part, making them less expensive and easy to maintain. This type of pump is extremely energy-efficient, and choosing one over a traditional direct-driven pump often pays for itself quickly in power consumption savings.

Smart Control Receiver

NEW

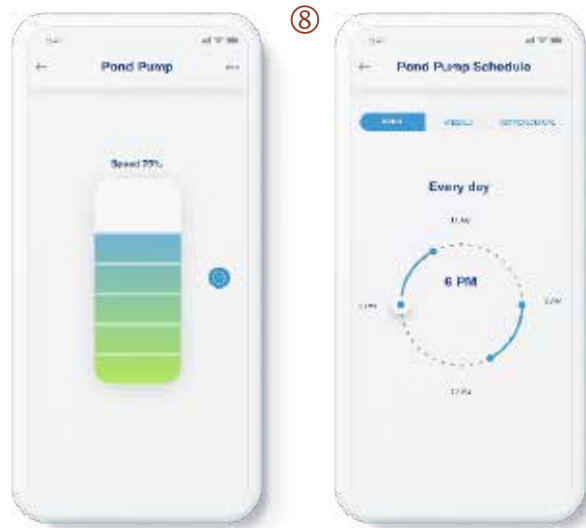
The Aquascape Smart Control Receiver is required to run Aquascape adjustable flow pond pumps, allowing you to control your pump at anytime from anywhere. The specially designed receiver makes it easy to connect your pump to the Smart Control App on your smartphone or tablet, allowing for a variety of wireless control functions, including flow adjustment and customized scheduling.

- The Smart Control Receiver includes an integrated control panel with digital numeric display and quick and easy flow adjustment.
- Connecting your device is quick and easy, simply plug in your pump, download the Smart Control App, pair the receiver to your device, and enjoy!



Features and Benefits

- ① WiFi pairing light indicates active connection
- ② Integrated control panel clearly displays current flow settings
- ③ Flow adjustment controls allow for quick and easy on-board flow control
- ④ On/Off controls allow the pump to be turned on or off without a remote or device
- ⑤ Integrated hang tag provides secure mounting option
- ⑥ Durable, weather-resistant, injection-molded housing is built to last
- ⑦ Integrated, weather-proof, quick-connect fitting makes setup quick and easy
- ⑧ Aquascape Smart Control App allows for a variety of wireless control functions, including flow adjustment and customized scheduling



Comparison Chart

Model	SLD 4000-7000 Adjustable Flow Pump	SLD 5000-9000 Adjustable Flow Pump	AquaSurge 2000-4000 Adjustable Flow Pond Pump	AquaSurge 4000-8000 Adjustable Flow Pond Pump	AquaForce 4000-8000 Adjustable Flow Pond Pump
Smart Control Receiver	✓		✓	✓	✓
Smart Control Receiver Large		✓			
Smart Control Conversion Plug *For converting 2019 and older model adjustable flow pumps			✓	✓	✓
Universal Remote for Adjustable Flow Pumps	✓	✓	✓	✓	✓

AquaSurge® Pond Pumps

AquaSurge® Pond Pumps combine energy-efficient performance, high flow rates, and ease of maintenance, making this pump the perfect choice for pond owners. AquaSurge pumps are ideal for use in pond skimmers and Pondless® Waterfall Vaults. The asynchronous motor technology provides high torque, and trouble-free performance, while the oil-free design prevents pond contamination. Made for continuous use, the AquaSurge Pond Pumps will not corrode or rust and can be used vertically or horizontally.



Not available in Australia

AquaSurge® 2000 Pond Pump
#91017

AquaSurge® 3000 Pond Pump
#91130

AquaSurge® 4000 Pond Pump
#98587

AquaSurge® 5000 Pond Pump
#98574



AquaSurge® Low Suction
Intake Attachment

#91117

Packaged Weight: 0.3kg
Pack Dimensions: 15cmL x 12cmW x 15cmH
Allows pumps to be operated in shallow applications such as the AquaBasin® 45
NOTE: Not compatible with AquaSurge 4000-8000

AquaSurge® Adjustable Flow Pond Pumps

AquaSurge® Adjustable Flow Pond Pumps include a Smart Pump Receiver which makes it easy to connect your pump to your phone or tablet, allowing for wireless flow adjustment and customized scheduling.



AquaSurge® 2000–4000
Adjustable Flow Pond Pump

Not available in Australia #45009

AquaSurge® 4000–8000
Adjustable Flow Pond Pump

#45010

AquaSurge® Pond Pump Accessories



Smart Control Receiver
#45038

NOTE: Only compatible with AquaSurge and AquaForce Adjustable Flow Pond Pumps.

Smart Control Conversion Plug
#45040

Use the Smart Pump Receiver Conversion Plug to connect AquaSurge and AquaForce pumps (made prior to 2020) to the Smart Pump Receiver, allowing for control from your smartphone or tablet.

Universal Remote for
Adjustable Flow Pumps
#45041

The optional remote allows wireless control without the use of a smartphone or tablet.
NOTE: Only compatible with SLD, AquaSurge and AquaForce Adjustable Flow Pond Pumps.

AquaSurge® Pond Pumps

Features and Benefits



- ① Compact size makes it the perfect pump for pond skimmers
- ② Built-in cord strain relief protects the cord from being damaged
- ③ Asynchronous motor technology makes this pump more powerful than traditional magnetically-driven pond pumps
- ④ Unique ceramic shaft with cooling port prevents the pump from overheating
- ⑤ Simple and secure threaded disconnect allows the pump to be easily removed from the skimmer for maintenance or winterization
- ⑥ Integrated rubber feet prevent noise and vibration
- ⑦ The rotational ball output allows the discharge position to be easily adjusted
- ⑧ Included pump stand allows for vertical positioning
- ⑨ Fittings include (2) 25mm, 32mm, 40mm multi-hose fittings, 32mm, 40mm, 50mm multi-hose fitting, 40mm, 50mm multi-hose fitting, 40mm rotational ball output, 40mm female coupler, 40mm male coupler

Comparison Chart

Model	AquaSurge 2000	AquaSurge 3000	AquaSurge 4000	AquaSurge 5000	AquaSurge Adjustable Flow 2000-4000	AquaSurge Adjustable Flow 4000-8000
Maximum Flow Rate (LPH)	8,300	12,000	15,000	20,000	15,000	30,000
Adjustable Flow	—	—	—	—	✓	✓
Maximum Head Height	3.8m	4.6m	5.6m	7.3m	5.6m	8.5m
Motor Type	Asynchronous	Asynchronous	Asynchronous	Asynchronous	Asynchronous	Asynchronous
Wattage	160	165	215	360	180 - 215*	500 - 660*
Amperage	1.3	1.4	1.82	3	1.82	5.5
Power Cord Length	10m	10m	10m	10m	10m	10m
Pump Discharge Diameter	40mm MPT	40mm MPT	40mm MPT	40mm MPT	40mm MPT	40mm MPT
Acceptable Pipe Diameter	32mm, 76mm	32mm, 76mm	32mm, 76mm	32mm, 76mm	32mm, 76mm	40mm
Pump Dimensions	30cmL x 14cmW x 17.8cmH	30cmL x 14cmW x 17.8cmH	35.5cmL x 15cmW x 19cmH	35.5cmL x 15cmW x 19cmH	35.5cmL x 15cmW x 19cmH	35.5cmL x 15cmW x 19cmH
Remote and Receiver	—	—	—	—	✓	✓
Warranty	3-Year Limited	3-Year Limited	3-Year Limited	3-Year Limited	3-Year Limited	3-Year Limited
Packaged Weight	4.5kg	4.6kg	5.8kg	6.4kg	5.9kg	7.25kg
Packaged Dimensions	13.25"L x 9"W x 9"H	13.25"L x 9"W x 9.75"H	15"L x 9.25"W x 10.5"H	15"L x 9.25"W x 11.25"H	15"L x 9.5"W x 10.5"H	15"L x 9.5"W x 12"H

*Wattage range depending on flow setting.

Flow Chart

Model	Max Head Height	Application Head Height									
		0'	1.5m	3m	4.5m	6m	7.5m	9m	10.5m	12m	13.5m
AquaSurge 2000	3.8m	8300	7000	5500	0	LPH					
AquaSurge 3000	4.6m	12100	10200	8900	0	LPH					
AquaSurge 4000	5.6m	15000	14200	12700	8500	0	LPH				
AquaSurge 5000	7.3m	20000	18900	18000	12300	6600	0	LPH			
AquaSurge 2000-4000	5.6m	15000	14200	12700	8500	0	LPH				
AquaSurge 4000-8000	8.5m	30000	27800	26500	22100	16300	7600	0	LPH		

■ BEST Operating Zone ■ MAXIMUM Operating Zone

SLD Adjustable Flow Pond Pumps

Aquascape SLD Adjustable Flow Pond Pumps are professional-grade, asynchronous, solids-handling pumps ideal for use in ponds, Pondless® Waterfalls, and other water feature applications. SLD Adjustable Flow Pond Pumps provide superior reliability and solids-handling capability. The included Smart Control Receiver makes it easy to connect to the Smart Control App on your smartphone or tablet, allowing for a variety of wireless control functions, including flow adjustment and customized scheduling. The optional Universal Remote for Adjustable Flow Pumps is available separately (#45041) to allow wireless control without the use of a smartphone or tablet.

- Professional-grade, solids-handling pond pump
- Asynchronous motor design provides superior reliability with less maintenance
- Pump flow can be controlled from anywhere with your smartphone or tablet



SLD 4000-7000
Adjustable Flow Pond Pump
#45036

Not available in Australia



SLD 5000-9000
Adjustable Flow Pond Pump
#45037

Not available in Australia

SLD Adjustable Flow Pond Pumps



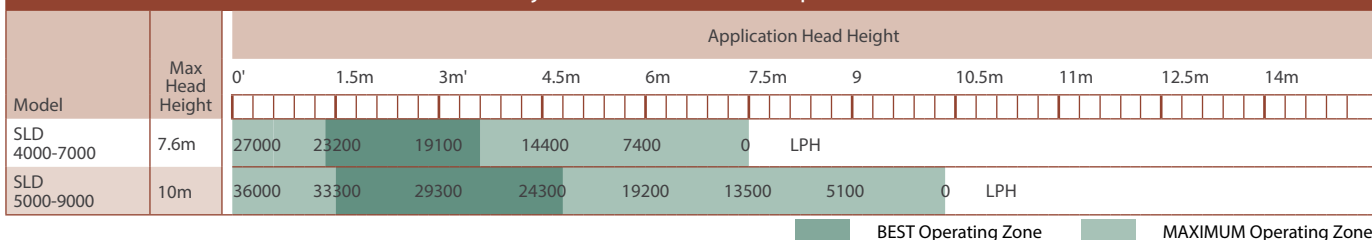
Feature and Benefits

- ① Smart Control Receiver connects to the Smart Control App, allowing you to control the pump with your smartphone or tablet
- ② Integrated control panel with digital numeric display and quick and easy flow adjustment
- ③ Threaded 50mm outlet allows for quick and easy installation in a variety of applications
- ④ Asynchronous motor technology provides superior reliability and longevity
- ⑤ Semi-vortex impeller design maximizes water flow and reduces maintenance
- ⑥ Durable pump housing is built to last and will not corrode or rust
- ⑦ Anti-vortexing shield prevents the pump from drawing air in low-water situations
- ⑧ Rubber feet prevent noise and vibration while in use

Comparison Chart

Model	SLD 4000-7000	SLD 5000-9000
Maximum Flow Rate (LPH)	27,000	36,000
Adjustable Flow	✓	✓
Maximum Head Height	7.6m	10m
Motor Type	Asynchronous	Asynchronous
Wattage	660	1060
Amperage	6.6	8.9
Power Cord Length	10m	10m
Pump Discharge Diameter	50mm FPT	50mm FPT
Pump Dimensions	33cmL x 16cmW x 10cmH	33cmL x 16cmW x 10cmH
App/WIFI Connected	✓	✓
Warranty	3-Year Limited	3-Year Limited
Packaged Weight	6.8kg	6.8kg
Packaged Dimensions	approx. 36cmL x 20cmW x 23cmH	approx. 36cmL x 20cmW x 23cmH

SLD Adjustable Flow Pond Pump Flow Chart



EcoWave® Pond Pumps

EcoWave® Pond Pumps are magnetically-driven (mag-drive) pond and waterfall pumps developed to provide extremely high flow rates. The internal, smart mag-drive motor technology and vortex style impeller allows these pumps to push an incredible amount of water with an electrical efficiency unmatched by other pumps with similar flow rates. EcoWave Pond Pumps are ideal for use in pond skimmers and Pondless® Waterfall Vault applications with lower head heights. Made for continuous use, the EcoWave pumps will not corrode or rust. They are complete with a compact and oil-free design that prevents pond contamination.



EcoWave® 2000 Pond Pump
#91131

EcoWave® 3000 Pond Pump
#91132

Not available in Australia

Not available in Australia
EcoWave® 4000 Pond Pump
#91133

EcoWave® 5000 Pond Pump
#91134

Not available in Australia



Features and Benefits

- ① Protective filter screen reduces maintenance and prevents damage to the pump
- ② Durable thermoplastic housing will not corrode or rust
- ③ High-flow vortex impeller maximizes water flow
- ④ Smart mag-drive motor provides significant electrical cost savings
- ⑤ Internal PC board provides high flow rates with unmatched electrical efficiency
- ⑥ Built-in overload sensor prevents pump damage
- ⑦ Rubber feet prevent noise and vibration
- ⑧ Fittings include: (2) 25mm, 32mm, 40mm multi-hose fittings, 40mm rotational ball output, 50mm FPT x 40mm MPT, 40mm female coupler,

EcoWave® 90° Adapter
#88059

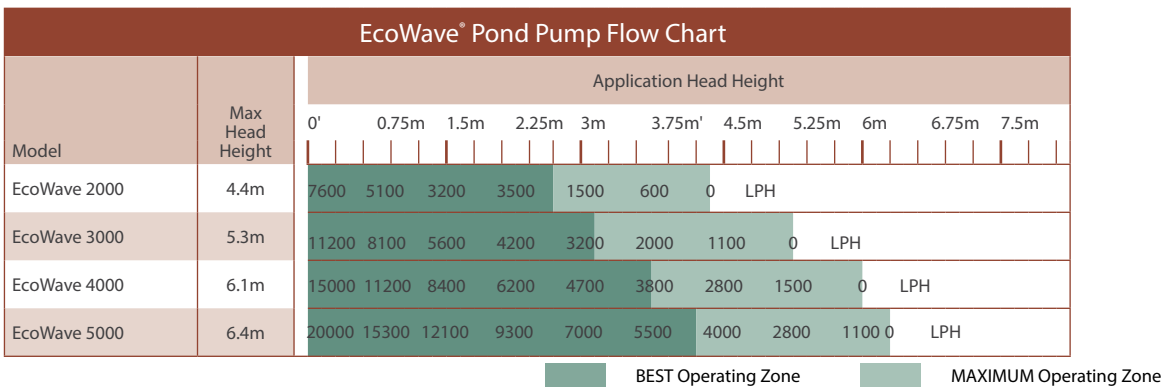
Packaged Weight: 0.7kg
Packaged Dimensions: 10cmL x 6.35cmW x 8.9cmH
Allows the EcoWave® to be used with the Low Suction Intake in the AquaBasin® 45.

AquaSurge® Low Suction Intake Attachment
#91117

Packaged Weight: 0.25kg
Packaged Dimensions: 14.6cmL x 11.4cmW x 14.6cmH
Allows pumps to be operated in shallow applications such as the AquaBasin® 45. Compatible with the EcoWave® 2000 & 3000

EcoWave® Pond Pumps

Comparison Chart				
Model	EcoWave 2000	EcoWave 3000	EcoWave 4000	EcoWave 5000
Maximum Flow Rate (LPH)	7,600	11,200	15,000	20,000
Maximum Head Height	4.4m	5.3m	6.1m	6.4
Motor Type	Mag-Drive	Mag-Drive	Mag-Drive	Mag-Drive
Wattage	65	90	130	150
Amperage	0.54	0.75	1.08	1.25
Power Cord Length	10m	10m	10m	10m
Pump Discharge Diameter	50mm MPT	50mm MPT	50mm MPT	50mm MPT
Acceptable Pipe Diameter	32mm	32mm	32mm	32mm
Pump Dimensions	28cmL x 15cmW x 19cmH	28cmL x 15cmW x 19cmH	28cmL x 15cmW x 19cmH	28cmL x 15cmW x 19cmH
Warranty	3-Year Limited	3-Year Limited	3-Year Limited	3-Year Limited
Packaged Weight	4.6kg	5.2kg	5.9kg	6.35kg
Packaged Dimensions	33cmL x 28cmW x 27cmH	33cmL x 28cmW x 30cmH	33cmL x 28cmW x 33cmH	33cmL x 28cmW x 35.5cmH



Tsurumi & Geyser Hi-Flow Pumps

Comparison Chart					
Model	Tsurumi 2.4s	Tsurumi 2.75s	Geyser Hi-Flow GHF-9000	Geyser Hi-Flow GHF-13000	Geyser Hi-Flow GHF-16000
Maximum Flow Rate (LPH)	16,200	21,000	35,960	49,960	68,130
Maximum Head Height	9.6m	12.5m	9.4m	10.1	12.2
Wattage	400	750	745	1118.	1491
Power Cord Length	10m	10m	10m	10m	10m
Pump Discharge Diameter	40mm - 80mm	40mm - 80mm	76mm	76mm	76mm
Pump Dimensions	24cmL x 16cmW x 36cmH	24cmL x 16cmW x 38cmH	34cmL x 24cmW x 64cmH	34cmL x 24cmW x 64cmH	34cmL x 24cmW x 64cmH
Warranty	2-Year Limited	2-Year Limited	2-Year Limited	2-Year Limited	2-Year Limited
Packaged Weight	7.1kg	8.9kg	25kg	28kg	34kg



Tsurumi 2.4s

#30034

Tsurumi 2.75s

#30035



Geyser HiFlow 9000

#44-GEYHI-9000

Geyser HiFlow 13000

#44-GEYHI-13000

Geyser HiFlow 18000

#44-GEYHI-18000

AquaForce® Solids-Handling Pond Pumps

AquaForce® asynchronous, solids-handling waterfall and filter pumps combine energy-efficient performance, high flow rates, and ease of maintenance, making this pump the ideal choice for discerning pond owners. The AquaForce protective pre-filter cage allows the pump to be placed directly into the pond. AquaForce pumps are able to pump solids up to 6mm inch in diameter, making it ideal for use with external pressure filters or Aquascape waterfall filter systems. The asynchronous motor technology provides high torque, trouble-free performance and is easy to maintain. Its oil-free design prevents pond contamination. The AquaForce can be used as a de-icer pump during cold weather months.



AquaForce® 1000 Solids-Handling Pond Pump
#91011

Not available in Australia
AquaForce® 1800 Solids-Handling Pond Pump
#91112

AquaForce® 2700 Solids-Handling Pond Pump
#91127

AquaForce® 3600 Solids-Handling Pond Pump
#91128

AquaForce® 5200 Solids-Handling Pond Pump
#91129

AquaForce® Adjustable Flow Solids-Handling Pond Pumps

AquaForce® Adjustable Flow Pond Pumps now include a Smart Control Receiver, which makes it easy to connect to the Smart Control App on your smartphone or tablet, allowing for wireless flow adjustment and customized scheduling.



AquaForce® 4000–8000 Adjustable Flow Solids-Handling Pond Pump

#91104 **Not available in Australia**

AquaForce® Pond Pump Accessories



Smart Control Receiver
#45038

NOTE: Only compatible with AquaSurge and AquaForce Adjustable Flow Pond Pumps.



Smart Control Conversion Plug
#45040

Connect older AquaForce Adjustable Flow Pumps (pre 2020) to the Smart Control Receiver, allowing for control from your smartphone or tablet.



Universal Remote for Adjustable Flow Pumps
#45041

The optional remote allows wireless control without the use of a smartphone or tablet.
NOTE: Only compatible with SLD, AquaSurge and AquaForce Adjustable Flow Pond Pumps.

AquaForce® Solids-Handling Pond Pumps



Feature and Benefits

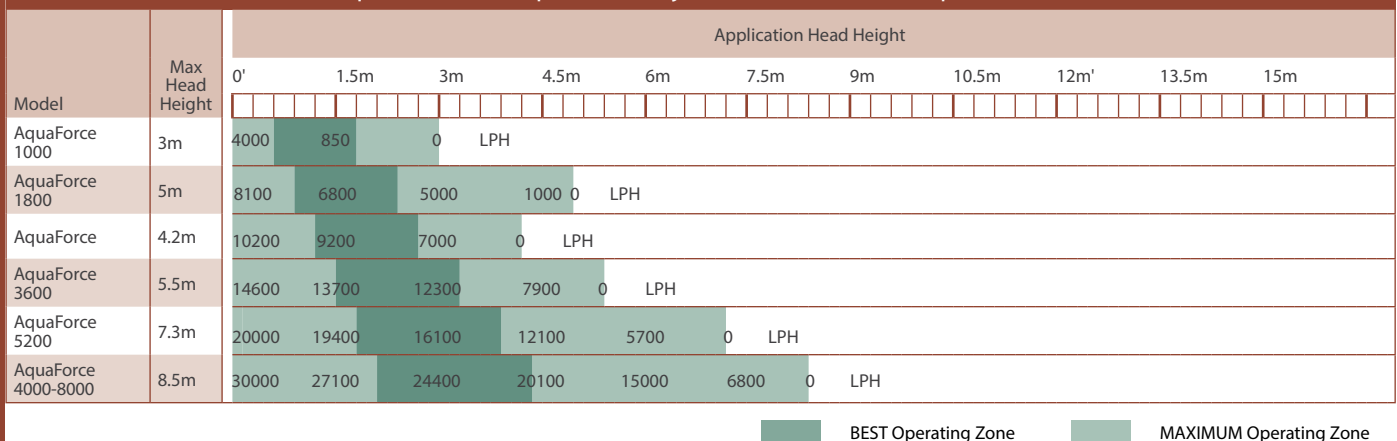
- ① Protective pump cage prevents large debris from clogging or damaging pump, reducing maintenance
- ② Large cage openings allow solids to be easily passed and filtered, preventing the pump from being clogged or damaged
- ③ Asynchronous motor technology makes this pump more powerful than traditional magnetically-driven pond pumps
- ④ The simple and secure threaded disconnect allows the pump to be easily removed from the pond for maintenance or winterization without removing hose clamps or plumbing assembly
- ⑤ The wide, flat shape of the pump cage makes it stable and easy to place in the pond
- ⑥ The rotational ball output allows the pump discharge position to be easily adjusted, making this pump ideal for all shapes and sizes of ponds
- ⑦ Fittings include (2) 25mm, 32mm, 40mm multi-hose fittings, 32mm, 40mm, 50mm multi-hose fitting, 40mm, 50mm multi-hose fitting, 40mm rotational ball output, 40mm female coupler, 40mm male coupler

Comparison Chart

Model	AquaForce 1000	AquaForce 1800	AquaForce 2700	AquaForce 3600	AquaForce 5200	AquaForce Adjustable Flow 4000-8000
Maximum Flow Rate (LPH)	4,000	8,100	10,200	14,600	20,000	30,000
Adjustable Flow	—	—	—	—	—	✓
Maximum Head Height	3m	5m	4.2m	5.5m	7.3m	8.5m
Motor Type	Asynchronous	Asynchronous	Asynchronous	Asynchronous	Asynchronous	Asynchronous
Wattage	55	160	147	215	360	500-660*
Amperage	0.51	1.33	1.25	1.8	3	5.5
Power Cord Length	10m	10m	10m	10m	10m	10m
Pump Discharge Diameter	40mm MPT	40mm MPT	40mm MPT	40mm MPT	40mm MPT	40mm MPT
Acceptable Pipe Diameter	25mm,76mm	25mm,76mm	25mm,76mm	25mm,76mm	25mm,76mm	40mm
Dimensions Pump	35.5cmL x36cmW x 16.5cmH	35.5cmL x36cmW x 16.5cmH	35.5cmL x36cmW x 16.5cmH	35.5cmL x36cmW x 16.5cmH	35.5cmL x36cmW x 16.5cmH	35.5cmL x36cmW x 16.5cmH
Remote and Receiver	—	—	—	—	—	✓
Warranty	3-Year Limited	3-Year Limited	3-Year Limited	3-Year Limited	3-Year Limited	3-Year Limited
Packaged Weight	5kg	5.5kg	5.5	6.5kg	6.5kg	8.4kg
Packaged Dimensions	36cmL x 23cmW x 37.5cmH	36cmL x 23cmW x 37.5cmH	36cmL x 23cmW x 40cmH	36cmL x 23cmW x 41cmH	36cmL x 23cmW x 43cmH	36cmL x 23cmW x 48cmH

*Wattage range depending on flow setting.

AquaForce® and AquaForce® Adjustable Flow Pond Pump Flow Chart



Pond Powerhead

The Aquascape Pond Powerhead is an innovative low voltage circulation pump designed to create water movement in ponds. Either set the powerhead directly in the pond or disguise it using rocks or other materials. Great for solving problems with stagnant water, the Pond Powerhead provides water movement, surface agitation, aeration, and circulation. Its small compact design makes it easy to install in a new or existing water feature and requires no pipe or plumbing. The energy-efficient, low voltage 40-Watt motor can be powered by a standard outdoor 12-volt low voltage transformer (sold separately, see page 69). It includes 7.62m feet quick-connect cable and can be used alone or with additional Pond Powerheads to maximize circulation in larger water features.



Pond Powerhead

#91142

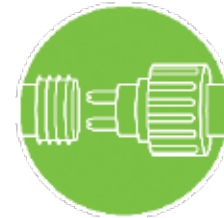
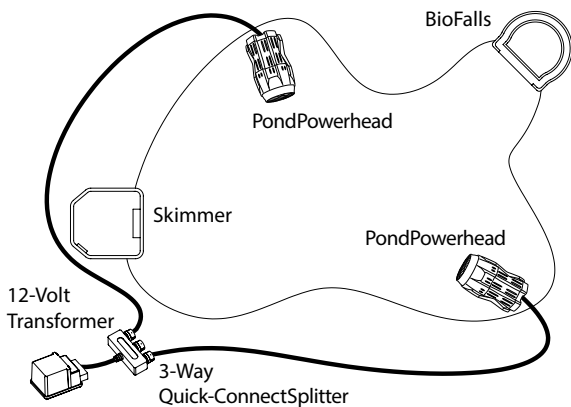
Packaged Weight: 3.5kg
Dimensions: 25cmL x 15cmW x 15cmH



Features of the Pond Powerhead

- ① Adjustable head allows for directional flow control
- ② Propeller provides maximum water flow
- ③ Energy-efficient, 12-volt motor design
- ④ Durable construction ensures years of trouble-free use

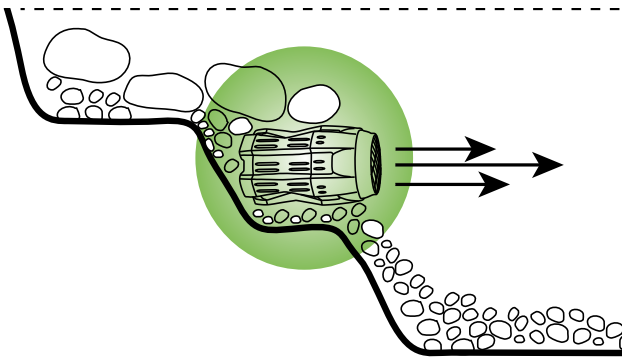
Wiring Diagram



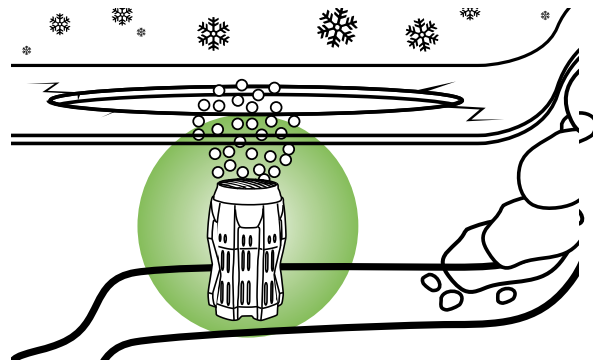
Compatible with Aquascape quick-connect splitters and extension cables (see page 66)

Application

Typical Application



Winter Application



Ultra Water Pumps - 240v & Low Voltage

Ultra Water Pumps are the complete solution for decorative fountains and spitters. These versatile pumps include a three-way or single valve and multi-size hose connection, making them adaptable to almost any pipe or tubing size. The magnetically-driven motor technology is easy to maintain and extremely energy-efficient, saving hundreds of dollars over traditional water pumps. The durable pre-filter cage design protects pump and reduces pump maintenance, and its oil-free design prevents contamination.



Ultra 400 Water Pump
#91123

Ultra 400 Low Voltage Pump
#91123LV

Ultra 550 Water Pump
#91124

Ultra 550 Low Voltage Pump
#91124LV

Ultra 800 Water Pump
#91125

Ultra 1100 Water Pump
#91126

Ultra 1100 Low Voltage Pump
#91126LV

Ultra 1500 Water Pump
#91009

Ultra Water Pump Fountain Head Kits



Small Ultra Pump Fountain Head Kit

Ideal for Ultra 400, 550, and 800

#91045

Packaged Weight: 0.25kg

Packaged Dimensions: 14cmL x 9cmW x 18.5cmH



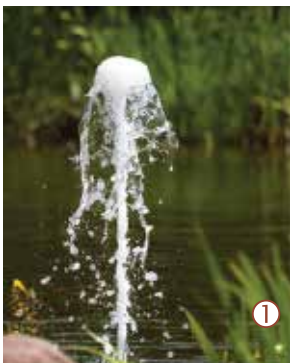
Large Ultra Pump Fountain Head Kit

Ideal for Ultra 1100, 1500, and 2000

#91046

Packaged Weight: 0.25kg

Packaged Dimensions: 15cmL x 8cmW x 23cmH



Included Fountain Heads

- ① Foaming Jet Fountain
- ② Daisy Fountain
- ③ Waterbell Fountain

Ultra Water Pumps



Features of the Ultra Water Pumps

- ① Protective pump strainer cover and sponge filter prevent debris from damaging pump, thereby reducing maintenance and prolonging pump life
- ② Mag-drive motor technology makes this pump energy-efficient and simple to maintain
- ③ The wide, flat base and rubber feet make the pump stable and reduce vibration
- ④ Fittings included with the Ultra 400, 550, and 800: 19mm, 25mm, 32mm multi-hose adapter, 13mm MPT coupling, FPT 90° elbow 13mm, 13mm valve
- ⑤ Fittings included with the Ultra 1100, 1500, and 2000: 19mm, 25mm, 32mm multi-hose adapter, 25mm, 32mm, 40mm multi-hose adapter, 19mm MPT coupling, FPT 90° elbow 19mm, 19mm 3-way valve



Comparison Chart

Model	400	550	800	1100	1500
Maximum Flow Rate (LPH)	1,400	2,000	3,000	4,000	5,700
Maximum Head Height	2.3m	2.4m	2.7m	3.65m	5m
Motor Type	Mag-drive	Mag-drive	Mag-drive	Mag-drive	Mag-drive
Wattage	24	33	58	92	153
Amperage	0.40	0.55	0.80	0.85	1.46
Power Cord Length	5m	5m	5m	10m	10m
Pump Discharge Diameter	13mm, 19mm, 25mm, 32mm	13mm, 19mm, 25mm, 32mm	13mm, 19mm, 25mm, 32mm	13mm, 19mm, 25mm, 32mm	13mm, 19mm, 25mm, 32mm
Acceptable Pipe Diameter	32mm	32mm	32mm	13mm, 40mm	13mm, 40mm
Pump Dimensions	14cmL x 10cmW x 9cmH	15cmL x 10cmW x 10cmH	15cmL x 10cmW x 10cmH	23cmL x 13cmW x 15cmH	24cmL x 15cmW x 18cmH
Warranty	3-Year Limited	3-Year Limited	3-Year Limited	3-Year Limited	3-Year Limited
Packaged Weight	1.1kg	1.36kg	2kg	2.4kg	3.6kg
Packaged Dimensions	23cmL x 13cmW x 13cmH	23cmL x 13cmW x 13cmH	23cmL x 16.5cmW x 15cmH	24cmL x 17cmW x 18cmH	27cmL x 20cmW x 20cmH

Flow Chart

Model	Max Head Height	Application Head Height										
		0'	0.75m	1.5m	2.25m'	3m	3.75m	4.5m	5.25m	6m	6.75m'	7.5m
Ultra 400	2.3m	1400	1135	757	0	LPH						
Ultra 550	2.4m	2000	1600	1100	300	0	LPH					
Ultra 800	2.7m	3000	2600	1900	1000	0	LPH					
Ultra 1100	3.65,	4000	3800	3000	2300	1100	0	LPH				
Ultra 1500	5m	5700	5100	4500	4000	3100	2200	800	0	LPH		

BEST Operating Zone

Statuary Water Pumps

These high quality, magnetically-driven water pumps are ideal for supplying water to run small fountains, container water gardens, and decorative spitters. The combination of energy efficiency, mag-drive performance, water flow, and ease of maintenance makes this pump the ideal choice for discerning water feature owners. The durable pre-filter cage design



680 LPH
Water
Pump
#91025



Features of the Statuary Pumps

- ① Mag-drive motor technology makes this pump energy-efficient and simple to maintain
- ② Included flow control allows you to create a customized water flow
- ③ The wide, flat base of the pump makes it stable and easy to place in the pond or fountain
- ④ Protective pump input strainer cover prevents debris from clogging or damaging pump, reducing maintenance
- ⑤ Intake strainer on the bottom of the pump prevents the pump from running dry or pulling in

Comparison Chart

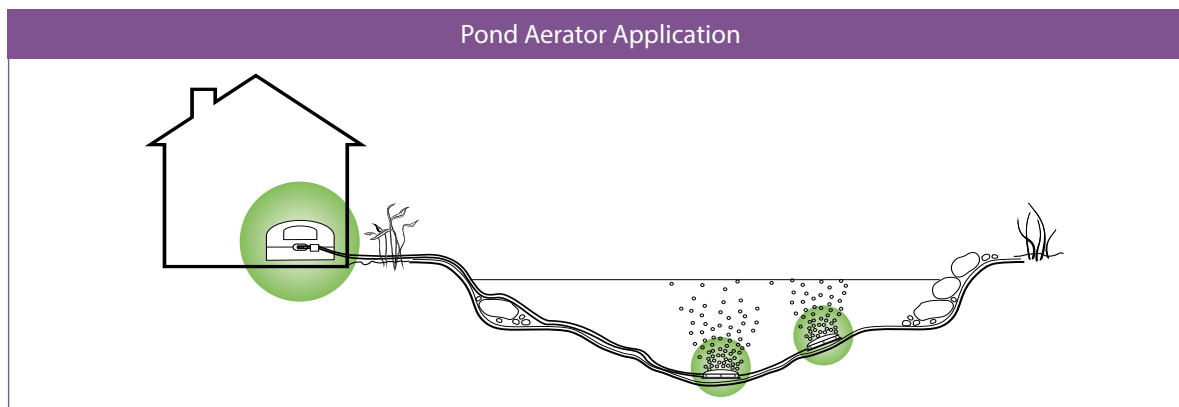
Model	680 LPH
Maximum Flow Rate (LPH)	680
Maximum Head Height	1.2m
Motor Type	Mag-drive
Wattage	9.3
Amperage	0.175
Power Cord Length	1.8m
Discharge Hose Diameter	½", ⅝"
Pump Dimensions	7.6cmL x 6.35cmW x 5cmH
Warranty	3-Year Limited
Packaged Weight	0.70kg
Packaged Dimensions	10cmL x 10cmW x 10cmH



AERATION

Every biological process that occurs in ponds is dependent on oxygen. This is especially important in warmer temperatures or at night when plants are not converting sunlight into oxygen. Pond aerators supply dissolved oxygen directly to ponds and other water features, helping all biological processes and resulting in healthier fish and plants. Proper aeration creates a stable pond environment, keeping water healthy, clean, and clear.

Aquascape Supplies Australia provides a complete line of pond aeration supplies, including compressors, diffusers, weighted tubing, and more. The specification chart and following information will help you to make the right product selection.



Pro Air Pond Aeration Accessories



Hailea V-20 Aeration Compressor
#XL-33



Pro Air 60 Aeration Compressor
#61016



Weighted Aeration Tubing
3/8" x 30.5m
#61014
Packaged Weight: 10.5kg
Also available cut per metre #61014C



10" Rubber Membrane
Aeration Diffuser
#61010
Packaged Weight: 1.25 kg



2-Way Aeration
Compressor Manifold
#61012
Packaged Weight: 0.12kg
NOTE: Only for use with Hailea V-60 Aeration Compressor

Comparison Chart		
Model	Hailea V-20 Aeration Compressor	Pro Air 60 Aeration Compressor
Pond Size	Up to 20,000 litres	Up to 60,000 litres
Maximum Recommended Pond Depth	2m	3.5m
Maximum Air Flow Rate (Loaded)	0.71 CFM (20 L/min)	2.1 CFM (60 L/min)
Maximum Air Depth (Loaded)	2.90 psi (0.20 kgf/cm ²)	5.08psi (0.36 kgf/cm ²)
Number of Outlets	1	2
Number of Aeration Discs	—	—
Wattage	15	45
Power Cord Length	1.8m	1.8m
Airline Length	—	—
Pump Dimensions	15cmL x 14cmW x 10.8cmH	20cmL x 18cmW x 15cmH
Aeration Diffuser Dimensions	—	—
Check Valve (Included and Pre-Installed)	✓	✓
Warranty	1-Year Limited	3-Year Limited
Packaged Weight	2.6kg	5.2kg
Packaged Dimensions	23cmL x 18.5cmW x 18cmH	24cmL x 20cmW x 21cmH



Barbed Coupling 3/8"
#99159
Packaged Weight: 0.12kg



LIGHTING

Add a new dimension to your water feature by bringing it to life at night. With today's busy lifestyle, it's important to be able to enjoy your pond or landscape at any time of the day. The complete line of Aquascape lighting makes enjoying your garden easy — day or night.

Aquascape LED lighting combines style and simplicity. Our component fixtures include a die-cast metal housing finished with a protective coating, providing a durable finish that will hold up in all weather conditions. Aquascape LED lighting can be used fully submersed or in traditional landscapes. Aquascape LED lights feature permanently sealed watertight fixtures and are backed by a limited full replacement warranty.

Garden and Pond LED Spotlight Kit

The Aquascape Garden and Pond LED Spotlight Kit is perfect for highlighting fountains, lighting up container water gardens, or accenting your ecosystem pond. The natural warm white of the three pre-wired 1-Watt LED lights give a warm glow to your water feature. The 12-volt quick-connect components integrate easily with other Aquascape lights, and are simple and easy to install. The Garden and Pond LED Spotlight Kit include three pre-wired 1-Watt LED lights, one 6-Watt 12V Quick-Connect Transformer, and one automatic on/off Photocell with Digital Timer.

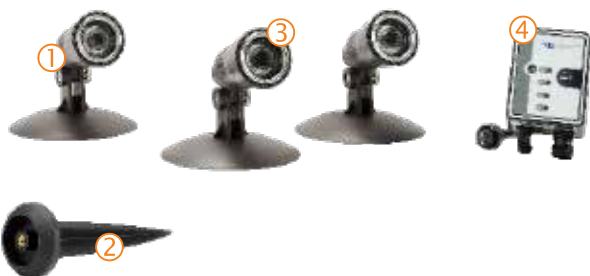


Garden and Pond LED Spotlight Kit

#84030

Packaged Weight: 1.8kg

Packaged Dimensions: 42cmL x 9cmW x 30cmH



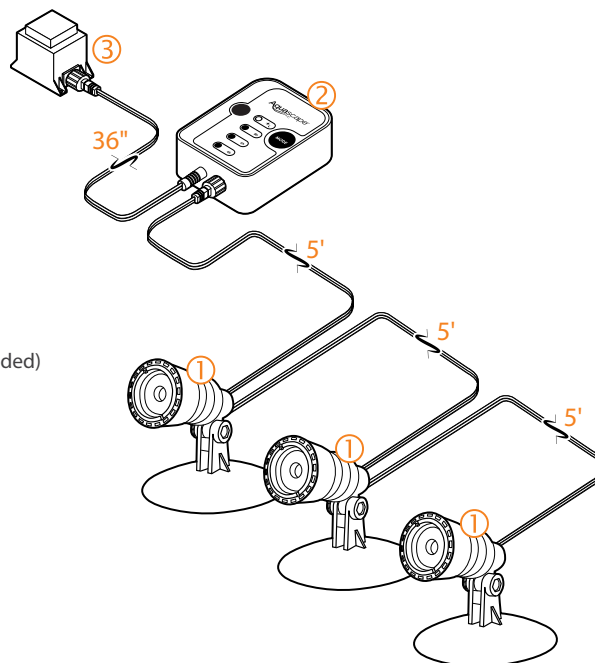
Features and Benefits

- ① Durable, injection molded housing is built to last
- ② Included ground stake can be used to easily install the light in the landscape
- ③ Powerful LED with optical lens maximizes light output
- ④ Included Photocell with Digital Timer automatically controls the lights

Wiring Diagram

Wiring Diagram

- ① (3) Pre-Wired 1-Watt LED Spotlights (Included)
- ② Garden and Pond Photocell with Digital Timer (included)
- ③ Garden and Pond 6-Watt 12V Quick-Connect Transformer (included)



Garden and Pond LED Lights

Aquascape Garden and Pond LED Lights extend the viewing hours of your pond, waterfall, fountain, or container water garden. Excellent for both pond and landscape use, these natural, warm, white lights are easy to install and can be combined with other lights to enhance your outdoor living space.



Garden and Pond 1-Watt
LED Waterfall and Up Light

#84032

Garden and Pond 1-Watt
LED Spotlight

#84031

Garden and Pond 3-Watt
LED Spotlight

#84033

Garden and Pond 6-Watt
LED Spotlight

#84034



Features and Benefits of the LED Spotlights

- ① Durable, fully-sealed, die-cast metal housing with protective finish
- ② Optical lenses maximize light output
- ③ High-output white diodes
- ④ Removable, injection molded stand
- ⑤ Removable, injection molded landscape stake

Features and Benefits of the Waterfall and Up Light

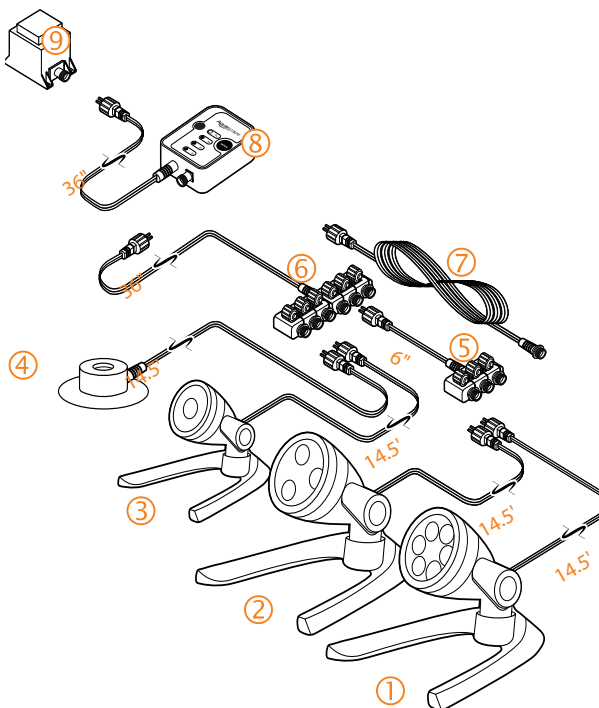
- ① Durable, fully-sealed, die-cast metal housing with protective finish
- ② Removable, injection molded base
- ③ High-output diodes
- ④ Optical lens maximizes light output

Garden and Pond LED Lights

Wiring Diagram

Wiring Diagram

- ① Garden and Pond 6-Watt LED Spotlight (#84034)
- ② Garden and Pond 3-Watt LED Spotlight (#84033)
- ③ Garden and Pond 1-Watt LED Spotlight (#84031)
- ④ Garden and Pond 1-Watt LED Waterfall and Up (#84032)
- ⑤ Garden and Pond 3-Way Quick-Connect Splitter (#98489) (not included)
- ⑥ Garden and Pond 6-Way Quick-Connect Splitter (#84022) (not included)
- ⑦ Garden and Pond 25' Quick-Connect Lighting Extension Cable (#98998) (not included)
- ⑧ Garden and Pond Photocell with Digital Timer (#84039) (not included)
- ⑨ Transformer (not included) (required to power lights)



Comparison Chart

Model	1-Watt Waterfall and Up Light	1-Watt Spotlight	3-Watt Spotlight	6-Watt Spotlight
Lumens	45 lm	45 lm	150 lm	340 lm
Wattage	1.2W±10%	1.2W±10%	3W±10%	5.8W±10%
Voltage Min-Max	9V – 15V	9V – 15V	9V – 15V	9V – 15V
Temperature in Kevlin	3,000 K	3,000 K	3,000 K	3,000 K
Color Rendering Index (CRI)	75	75	75	75
Beam Angle Spread	30°	30°	30°	30°
Bulb Life	40,000 hours	40,000 hours	40,000 hours	40,000 hours
12V Quick Connect Fitting	✓	✓	✓	✓
Material	Die-Cast Metal	Die-Cast Metal	Die-Cast Metal	Die-Cast Metal
Cord Length	4.4m	4.4m'	4.4m	4.4m
Light Dimensions	5cm diameter x 3.81cmH	3.18cm diameter x 5cmH	7.62cm diameter x 7.62cmH	7.62cm diameter x 7.62cmH
Packaged Weight	1 lb	1 lb	2.5 lb	2.75 lb
Packaged Dimensions	12cmL x 11.4cmW x 19cmH	12cmL x 9.5cmW x 28cmH	13cmL x 13cmW x 35.5cmH	16cmL x 15cmW x 35.5cmH

LED Fountain Lights

The Aquascape LED Fountain Lights are an excellent way to enhance your decorative fountain. The integrated fitting makes it quick and easy to install into the top of the tubing, and settles perfectly into the core of the fountain. The natural warm color gives off a warm white light, lighting up the water as it spills over the edge. The fountain lights integrate easily with other 12-volt quick-connect components.



LED Fountain Light
#84008



LED Fountain Light with Transformer
#84009



Features and Benefits

- ① Powerful LED diodes provide stunning, warm light output
- ② Durable, injection-molded housing is built to last
- ③ Integrated, removable barb fitting allows for quick and easy attachment to fountain tubing
- ④ Integrated quick-connect fitting is compatible with Aquascape quick-connect transformers, splitters, and extension cables.

Comparison Chart

Model	LED Fountain Light	LED Fountain Light with Transformer
Lumens	24 lm	24 lm
Wattage	2.5W±10%	2.5W±10%
Voltage Min-Max	10.8V – 15V	10.8V – 15V
Temperature in Kelvin	3,000 K	3,000 K
Color Rendering Index (CRI)	70	70
Beam Angle Spread	30°	30°
Bulb Life	40,000 hours	40,000 hours
12V Quick Connect Fitting	✓	✓
Material	Plastic	Plastic
Cord Length	4.5m	4.5m
Light Dimensions	3.8cm diameter x 6.35cmH	3.8cm diameter x 6.35cmH
Transformer	—	✓
Packaged Weight	0.45kg	0.90kg
Packaged Dimensions	7cmL x 6.35cmW x 21cmH	14cmL x 6.35cmW x 18.4cmH

Path and Area LED Landscape Lights

Aquascape Path and Area LED Landscape Lights make it easy to illuminate any landscape, including areas surrounding waterfalls, ponds, and fountains. These energy-efficient LED lights provide beauty, safety, and visibility in any residential or commercial space. The two styles available are both constructed out of durable brass and include a heavy-duty stake. These lights integrate easily with other 12-volt quick-connect components.



Path and Area 3-Watt LED Hat Top Landscape Light

#84063



Path and Area 3-Watt LED Dome Top Landscape Light

#84064



Features and Benefits

- ① Durable brass construction with antique bronze finish
- ② 3-foot lead wire with quick-connect fitting simplifies installation
- ③ Energy-efficient 3-Watt LED bulb
- ④ Acrylic lens protects LED bulb from outdoor elements
- ⑤ Highly reflective white ceramic paint for maximum light output
- ⑥ Heavy-duty stake provides simple and secure installation
- ⑦ Water-tight silicone sealed wire exit prevents moisture and insects from entering

Comparison Chart

Model	3-Watt Hat Top Landscape Light	3-Watt Dome Top Landscape Light
Lumens	270 lm	270 lm
Wattage	3W±10%	3W±10%
Voltage Min-Max	9V – 15V	9V – 15V
Temperature in Kevlin	2,700 K	2,700 K
Color Rendering Index (CRI)	80	80
Beam Angle Spread	120°	90°
Beam Spread Diameter	6.5'	6'
Bulb Life	40,000 hours	40,000 hours
12V Quick Connect Fitting	✓	✓
Material	Brass	Brass
Cord Length	91cm	91cm
Light Dimensions	16.5cm diameter x 46cH	16.5cm diameter x 46cH
Packaged Weight	0.80kg	0.80kg
Packaged Dimensions	14.6cmL x 14.6cmW x 23.5cmH	14.6cmL x 14.6cmW x 23.5cmH

Garden and Pond Photocell with Digital Timer



Garden and Pond Photocell with Digital Timer

#84039

Packaged Weight: 0.34kg

Dimensions: 5cmL x 1.25W x 3cmH with a 91cm cord

- Can be used to control AquaScaper white and color-changing lights
- Auto on at dusk/off at dawn or 4, 6, 8 hour timer option
- Built-in memory setting in case of power loss
- Integrates easily with other 12-volt quick-connect components
- Up to 60-Watt capacity

Garden and Pond Extension Cables

The AquaScaper lighting extension cables allow for simple extension of AquaScaper white LED lighting. They are ideal for use with our 12-volt quick-connect transformers and 3-way and 6-way splitters. The 12V quick-connect components eliminate the need to cut wires and provide a weatherproof seal. Not compatible with AquaScaper color-changing lights.



Garden and Pond 7.62m Quick-Connect Lighting Extension Cable

#98998

Packaged Weight: 0.45kg



Garden and Pond 7.62m 5-Outlet Quick-Connect Lighting Extension Cable

#84023

Packaged Weight: 0.45kg

Garden and Pond Splitters

AquaScaper splitters provide a simple connection of 3 or 6 light fixtures to a single transformer. Multiple 3-way and 6-way splitters can be chained together to attach additional fixtures. Not compatible with AquaScaper color-changing lights.



Garden and Pond 3-Way Quick-Connect Splitter

#98489

Packaged Weight: 0.22kg
15cm cord length



Garden and Pond 6-Way Quick-Connect Splitter

#84022

Packaged Weight: 0.34kg
91cm cord length

LED Lighting 6-Packs

Designed for quick and easy installation of Aquascape lighting components, Aquascape 6-Packs save you money, take up less space, reduce the amount of packaging, and are ideal for installations requiring multiple lights.



Garden and Pond 1-Watt LED Waterfall and Up Light 6-Pack

#84046

Packaged Weight: 2.6kg
Packaged Dimensions: 35.5cmL x 30cmW x 17.8cmH



Garden and Pond 1-Watt LED Spotlight 6-Pack

#84045

Packaged Weight: 2.6kg
Packaged Dimensions: 34.3cmL x 24.75cmW x 15cmH



Garden and Pond 3-Watt LED Spotlight 6-Pack

#84047

Packaged Weight: 6kg
Packaged Dimensions: 44.5cmL x 40cmW x 18cmH



Garden and Pond 6-Watt LED Spotlight 6-Pack

#84048

Packaged Weight: 6kg
Packaged Dimensions: 44.5cmL x 39cmW x 19cmH



Path and Area 3-Watt LED Hat Top Landscape Light 6-Pack

#84065

Packaged Weight: 4kg
Packaged Dimensions: 35.5cmL x 21cmW x 26cmH



Path and Area 3-Watt LED Dome Top Landscape Light 6-Pack

#84066

Packaged Weight: 4.2kg
Packaged Dimensions: 35.5cmL x 21cmW x 26cmH

Smart Control Hub for Color-Changing Lights

The Aquascape Smart Control Hub for Color-Changing Lights is required to run Aquascape Color-Changing Lights, allowing you to connect to the Smart Control App on your smartphone or tablet and control your lights at anytime from anywhere. The hub is capable of a variety of lighting functions, including color selection, cycle, dimming, color themes, and more.

- Connecting your device is quick and easy, simply plug in your lights, download the Smart Control App, pair the hub to your device, and enjoy!
- Use the astronomical timer to automatically turn lights on and off based on your location.
- Create lighting zones or control separate sets of lights simultaneously by using multiple hubs, further expanding the variety of lighting options.
- Each hub can control up to 150-Watts of Aquascape Color-Changing Lights.
- 12-Volt transformer (not included) is required to power the control hub and lights. Wirelessly control a wide array of color options and settings right from your Android or iPhone.
- Adequate wireless coverage required (2.4HZ supported).



Features and Benefits

- ① WIFI Pairing Button/Indicator allows for quick and easy connection to your phone or tablet
- ② Durable, weather-resistant, injection-molded housing is built to last
- ③ Integrated hang tag provides secure mounting option
- ④ 5-pin, weather-proof, quick-connect fitting connects to Aquascape Color-Changing Lights
- ⑤ 2-pin, weather-proof, quick-connect fitting connects to power source (not included)
- ⑥ Aquascape Smart Control App allows for a variety of wireless control functions, including color selection, cycle, dimming, color themes, and more



Smart Control Hub for Color-Changing Lights

- Turn lights on and off or select between lighting color design options
- 150-Watt lighting capacity
- Requires standard 12-volt transformer (see page 69)



Smart Control Hub for Color-Changing Lights

#84074

Packaged Weight: 0.34kg
Dimensions: 9.5cmL x 5cmW x 1.9cmH
Packaged Dimensions: 12cmL x 5cmW x 12cmH



Color-Changing Lighting Remote

#84073

Packaged Weight: 0.34kg
Dimensions: 10.8cmL x 5cmW x 1.9cmH
Packaged Dimensions: 12cmL x 6cmW x 2.5cmH

The optional remote allows wireless control without the use of a smartphone or tablet.

LED Color-Changing Lights

Aquascape LED color-changing lights provide an impressive range of color options including a white diode that provide a true white when desired. Color-changing lights integrate easily with Aquascape color-changing lighting accessories. Color-changing lights requires the Smart Control Hub for Color-Changing Lights and standard 12-volt transformer.



2-Watt LED Color-Changing Waterfall and Up Light
#84057

4.5-Watt LED Color-Changing Spotlight
#84059

8-Watt LED Color-Changing Spotlight
#84060



Features and Benefits

- ① Durable, fully-sealed, die-cast metal housing with protective finish
- ② Optical lenses maximize light output
- ③ High-output color-changing and white diodes
- ④ Removable, injection molded stand
- ⑤ Removable, injection molded landscape stake

Comparison Chart

Model	2-Watt Waterfall and Up Light	4.5-Watt Spotlight	8-Watt Spotlight
Lumens	52 lm / White	128 lm / White	223 lm / White
Wattage	2W±10%	4.5W±10%	8W±10%
Voltage Min-Max	10.8V – 15V	10.8V – 15V	10.8V – 15V
Temperature in Kevlin	3,000 K	3,000 K	3,000 K
Color Rendering Index (CRI)	70 / White	70 / White	70 / White
Beam Angle Spread	30°	30°	30°
Bulb Life	40,000 hours	40,000 hours	40,000 hours
12V Quick Connect Fitting	✓	✓	✓
Material	Die-Cast Metal	Die-Cast Metal	Die-Cast Metal
Cord Length	4.5m	4.5m	4.5m
Light Dimensions	5cm diameter x 3.8cmH	7.62cm diameter x 7.62cmH	7.62cm diameter x 7.62cmH
Packaged Weight	0.60kg	0.60kg	1.25kg
Packaged Dimensions	12cmL x 11.4cmW x 19cmH	13.3cmL x 13.3cmW x 33.95cmH	16cmL 16cmW x 41.3cmH

LED Color-Changing Fountain Lights

The Aquascape LED Color-Changing Fountain Lights provide both color-changing and white diodes for an impressive range of color options. They integrate easily with Aquascape color-changing lighting accessories and the removable fitting makes for quick and easy installation into the top of decorative fountains.



LED Color-Changing Fountain Light

#84072

Requires Smart Control Hub for Color-Changing Lights and standard 12-volt transformer.



LED Color-Changing Fountain Light Kit

#84055

Pre-wired kit includes light, remote control and transformer. Ideal for fountain applications only requiring one light.



Features and Benefits

- ① Powerful LED diodes provide stunning light output
- ② Durable, injection-molded housing is built to last
- ③ Integrated, removable barb fitting allows for quick and easy attachment to fountain tubing
- ④ Integrated quick-connect fitting is compatible with Aquascape color-changing lighting accessories.

Comparison Chart

Model	LED Color-Changing Fountain Light	LED Color-Changing Fountain Light Kit
Lumens	20 lm / White	20 lm / White
Wattage	2W±10%	4.5W±10%
Voltage Min-Max	10.8V – 15V	10.8V – 15V
Temperature in Kelvin	3,000 K	3,000 K
Color Rendering Index (CRI)	70 / White	70 / White
Beam Angle Spread	30°	30°
Bulb Life	40,000 hours	40,000 hours
12V Quick Connect Fitting	✓	✓
Material	Plastic	Plastic
Cord Length	4.5m	4.5m
Includes Required Transformer	—	✓
Includes Required Color-Changing Hub and Remote	—	✓
Light Dimensions	3.8cm diameter x 6.35cmH	3.8cm diameter x 6.35cmH
Packaged Weight	0.22kg	1kg
Packaged Dimensions	9.5cmL x 4.5cmW x 21cmH	14cm x 7cmW x 20cmH

Color-Changing Lighting Extension Cables

The Aquascape color-changing lighting extension cables allow for simple extension of Aquascape color-changing lighting. They are ideal for use with our 12-volt quick-connect transformers and 3-way and 6-way splitters. The 12-volt quick-connect components eliminate the need to cut wires and provide a weatherproof seal. Not compatible with Aquascape LED white lights.



7.62m Color-Changing Lighting Extension Cable



7.62m 5-Outlet Color-Changing Lighting Extension Cable

Color-Changing Lighting Splitters

Aquascape color-changing splitters provide a simple connection of 3 or 6 color-changing fixtures to a single power source. Multiple 3-way and 6-way splitters can be chained together to attach additional fixtures. Not compatible with Aquascape LED white lights.



3-Way Color-Changing Splitter
#84062



6-Way Color-Changing Splitter
#84068

Comparison Chart

Model	25' Color-Changing Extension Cable	25' 5-Outlet Color-Changing Extension Cable	3-Way Color-Changing Splitter	6-Way Color-Changing Splitter
Quick-Connect Connections	1	5	3	6
Type of Quick-Connect	5-Prong	5-Prong	5-Prong	5-Prong
Cord Length	7.62m	7.62m	1.8m	91cm
Packaged Weight	0.60kg	0.70kg	0.12kg	0.35kg
Packaged Dimensions	18.4cmL x 4.5cmW x 14.6cmH	17.8cmL x 6.35cmW x 16cmH	10cmL x 3.8cmW x 7.6cmH	18.4cmL x 4.5cmW x 5cmH



POWER

Aquascape low-voltage products like LED lighting and the Pond Powerhead require 12-volt transformers.

Aquascape offers a variety of power accessories including an array of low-voltage transformers and a Smart Control Plug designed to control your Aquascape products with the Smart Control App on your smartphone or tablet.

Transformers

Aquascape transformers provide an economical solution for operating low-voltage products such as lighting or Pond Powerheads. A variety of power options are available and each transformer includes quick-connect connections for quick and easy installation.



Garden and Pond
10-Watt 12V Quick-Connect
Transformer
#10010

Garden and Pond
35-Watt 12V Quick-Connect
Transformer
#10012

Garden and Pond
60-Watt 12V Quick-Connect
Transformer
#10013

Garden and Pond
150-Watt Transformer with Photocell
#98579

Garden and Pond
300-Watt Transformer with Photocell
#98577

Comparison Chart

Model	10-Watt Transformer	35-Watt Transformer	60-Watt Transformer	150-Watt Transformer with Photocell	300-Watt Transformer with Photocell
Quick-Connect Connections	1	1	1	3	3
Type of Quick-Connect	2-Prong	2-Prong	2-Prong	2-Prong	2-Prong
Photocell included	—	—	—	✓	✓
Transformer Dimensions	7cmL x 6cmW x 4cmH	9cmL x 6cmW x 7cmH	9cmL x 6cmW x 7cmH	10cmL x 18cmW x 9cmH	26cmL x 12cmW x 14cmH
Packaged Weight	0.5kg	0.80kg	1.6kg	3.6kg	4kg
Packaged Dimensions	15cmL x 9cmW x 6cmH	16cmL x 12cmW x 7cmH	16cmL x 12cmW x 7cmH	12cmL x 20cmW x 12cmH	33cmL x 20cmW x 21cmH

Smart Control Plug

The Aquascape Smart Plug is the easiest way to add smart controls to your existing Aquascape water features, allowing you to control your lights, pumps, or any other outdoor appliance from anywhere using your smartphone or tablet.

- Numbered outlets allow simple, clear set-up
- Power monitoring shows energy consumption of connected devices
- Adequate wireless coverage required (2.4HZ supported)



Smart Control Plug
#82001

Packaged Weight: 0.23kg
Dimensions: 15cmL x 3.8cmW x 14cmH with a 15cm cord





WATER TREATMENTS

Aquascape Water Treatments

Combining science with simplicity, Aquascape makes it easy to maintain a healthy, well-balanced water feature.

Aquascape Water Treatments make dosing simple and affordable. Put away your calculator and enjoy a clean, clear, and healthy ecosystem pond, Pondless® Waterfall, or decorative fountain with the complete line of Aquascape water treatment products

Water Treatment Options

Aquascape has a variety of options to naturally and efficiently balance your pond or waterfall. Select from Simple Solutions, Beneficial Bacteria, Problem Solving, Algae Fighting, Water Conditioners, Sludge Fighting, Fountain Treatments, and Lake and Large Pond Treatments.

Water Treatments

Simple Solutions

Maintain your water feature easily by tackling water quality and clarity issues with this line of easy-to-use water treatments and products. Choose between the Automatic Dosing System or manual pump-top bottles to dispense our specially-formulated water treatments.

Beneficial Bacteria

Aquascape beneficial bacteria water treatments are perfect for weekly application to maintain and establish balanced ecosystems. These treatments keep water clean, clear, and healthy.

Sludge Fighting

Aquascape sludge fighting water treatments eliminate and prevent pond sludge caused by fish waste, plant matter, and other decaying materials. These treatments keep rocks, gravel, and filters clean and provide clean, clear, and healthy water conditions.

Water Conditioners

Aquascape water conditioners help achieve ideal water conditions in ponds and other water features, making water safe for fish and caring for ponds simple and easy.

Algae Fighting

Aquascape algae fighting water treatments are the perfect, easy-to-use solution to control and treat algae.

Problem Solving

Aquascape Problem Solving water treatments quickly resolve a variety of problems, from clearing cloudy water to removing debris from rocks and gravel.

Fountain Treatments

Aquascape Fountain Treatments clean fountain surfaces and eliminate unsightly conditions including scale build-up, debris, and foam.

Lake and Large Pond Treatments

Aquascape Lake and Large Pond Treatments are intended for lake and large pond use only. These formulations are optimized specifically for larger bodies of water.

Simple Solutions

The Automatic Dosing System (ADS) is an electronically-operated dispenser that accurately and consistently applies your choice of specially-formulated water treatments to your water feature. The automatic dosing process eliminates the guesswork and routine associated with adding water treatments manually.

Aquascape offers an Automatic Dosing System for Ponds with three available water treatment options, and an Automatic Dosing System for Fountains with two available water treatment options.



Automatic Dosing System
for Ponds
#96030

Packaged Weight: 2.7kg

Packaged Dimensions: 23cmL x 21cmW x 37cmH

- Free water treatment included (Maintain for Ponds)
- Ideal for use with ponds and water gardens



Automatic Dosing System
for Fountains
#96031

Packaged Weight: 2.7kg

Packaged Dimensions: 23cmL x 21cmW x 37cmH

- Free water treatment
- Ideal for use with fountains and Pondless® Waterfalls



Features and Benefits

- ① Water feature size indication – The control panel shows the selected size of your water feature by displaying a blue light next to the number of litres of water. The dosing system dispenses treatment into your water feature based on this number.
- ② Increase/decrease pond size – Use the plus (+) and minus (-) buttons to select the approximate number of litres in your water feature.
- ③ X2 button – When pressed once, the 2 button will double the dosage for new ponds, problem ponds, or after a cleaning. When held, the system will enter a priming mode, automatically priming the system for newly installed water treatment pouches.



Replacement Frequency

Water Feature Size	Approximate Days of Treatment
Up to 2 000 L	166
3 750 L	83
5 750 L	55
7 500 L	42
9 500 L	33
11 500 L	28
13 250 L	24
15 100L	21
17 000 L	18
20 000 L	16

Simple Solutions Water Treatments for Ponds

Maintain for Ponds

Use on a daily basis to keep ponds clean, clear, and healthy

Maintain for Ponds reduces maintenance and promotes optimum water quality by combining our most effective water treatments into one powerful application. The formulation includes a beneficial bacteria blend, phosphate binder, flocculant, and dextoxifier, resulting in a healthy, crystal-clear, maintenance-free pond.



Maintain for Ponds

for use with the Automatic Dosing System

#96032

Packaged Weight: 1kg

Clear for Ponds

Use to clear unsightly water conditions, including cloudy and discolored water

Clear for Ponds uses a concentrated formulation of clarifiers to effectively resolve existing water quality problems, including cloudy or discolored water, and issues with debris attached to rocks and gravel. The formulation also contains a phosphate binder which works to prevent issues with water clarity and debris buildup.



Clear for Ponds

for use with the Automatic Dosing System

#96033

Packaged Weight: 1kg



Maintain for Ponds

for manual pump top dosing

#96057 – 236 ml

Packaged Weight: 0.34kg

1 pump treats 378 L

1 bottle treats 18,900 L

#96058 – 473 ml

Packaged Weight: 0.56kg

1 pump treats 378 L

1 bottle treats 37,800 L

#96060 – 3.78 L

Packaged Weight: 3.62kg

1 pump treats 2,268 L

1 bottle treats 302,400 L



Clear for Ponds

for manual pump top dosing

#96065 – 236 ml

Packaged Weight: 0.34kg

1 pump treats 378 L

1 bottle treats 18,900 L

#96066 – 473 ml

Packaged Weight: 0.56kg

1 pump treats 378 L

1 bottle treats 37,800 L

#96068 – 3.78 L

Packaged Weight: 3.62kg

1 pump treats 2,268 L

1 bottle treats 302,400 L

Simple Solutions Water Treatments for Ponds

Clean for Ponds

Use to naturally reduce organic sludge and debris

Clean for Ponds uses a powerful blend of heterotrophic bacteria to digest organic waste or sludge caused by uneaten fish food, fish waste, and leaves or debris, naturally cleaning the rocks and gravel. Reducing organic waste keeps ponds and pond filters clean while optimizing water clarity and quality.



Clean for Ponds

for use with the Automatic Dosing System

#96034

Packaged Weight: 2.25 lb



Clean for Ponds

for manual pump top dosing

#96061 – 236 ml

Packaged Weight: 0.34kg

1 pump treats 378 L

1 bottle treats 18,900 L

#96062 – 473 ml

Packaged Weight: 0.56kg

1 pump treats 378 L

1 bottle treats 37,800 L

#96064 – 3.78 L

Packaged Weight: 3.62kg

1 pump treats 2,268 L

1 bottle treats 302,400 L

Simple Solutions Water Treatments for Fountains

Prevent for Fountains

Use on a daily basis to keep waterfalls and fountains clean and clear

Prevent for Fountains keeps waterfalls and fountains clean and clear, controlling white-scale buildup, foam, stains, and unsightly water conditions without damaging surfaces. The formulation contains a special blend of clarifiers, designed to prevent debris buildup. Prevent for Fountains is not intended for use in water features containing fish or plants.



Prevent for Fountains

for use with the Automatic Dosing System

#96042

Packaged Weight: 2.25 lb

Clean for Fountains

Use to clear unsightly suspended debris

Clean for Fountains effectively cleans and clarifies waterfalls and fountains with pooling water, plants, or fish, significantly reducing maintenance and improving water quality. The formulation contains a flocculant and powerful phosphate binder to help clear and prevent unsightly suspended debris. Clean for Fountains is safe for use with fish and plants.



Clean for Fountains

for use with the Automatic Dosing System

#96037

Packaged Weight: 2.25 lb



Prevent for Fountains

for manual pump top dosing

#96073 – 236 ml

Packaged Weight: 0.34kg

1 pump treats 378 L

1 bottle treats 18,900 L



Clean for Fountains

for manual pump top dosing

#96077 – 236 ml

Packaged Weight: 0.34kg

1 pump treats 378 L

1 bottle treats 18,900 L

Sludge Fighting



Pond Sludge Remover Packs

- Eliminates and prevents pond sludge
- Water soluble packs make it easy to spot-treat and treat hard to reach areas
- Keeps rocks, gravel, and filters clean

18 Packs
#96081

Packaged Weight: 0.22kg
1 pack treats 3,780 L
1 container treats 68,040 L

36 Packs
#96084

Packaged Weight: 0.45kg
1 pack treats 3,780 L
1 container treats 120,960 L

72 Packs
#96082

Packaged Weight: 1.1kg
1 pack treats 3,780 L
1 container treats 272,550 L



Sludge Cleaner Bubble Tabs

- Pond bottom and filter cleaner
- Bubble Tabs help disperse sludge-eating bacteria quickly
- Safe for fish, plants, or animals

36 Tabs
#98901

Packaged Weight: 0.11kg
1 tablet treats 378 L
1 container treats 13,608 L



Clean, Sludge & Filter Bacteria

- Restores the ecosystem, keeping water clean, clear, and healthy
- Significantly reduces maintenance
- Contains 12 strains of beneficial bacteria that reduce waste and nutrients to help clarify water
- Safe for fish, plants, or animals

1 Litre
#C1002

Packaged Weight: 1kg

5 Litre
#C1005

Packaged Weight: 5kg

20 Litre
#CLEAN10020
Packaged Weight: 20kg

Dosage rates for lakes & dams
Initial dose 1L per ML (1,000,000 Litres).
Maintenance dose: 500ml per ML every two weeks for best results.

Dose rate for ponds
10ml per 1000L every two weeks

Water Conditioners & Problem Solving



Pond Detoxifier

- Makes tap water safe for fish and plants
- Removes and detoxifies chlorine
- Neutralizes ammonia
- Detoxifies and chelates copper and heavy metal

#98876 - 236 ml
Packaged Weight: 0.34kg
1 pump treats 378 L
1 bottle treats 18,900 L

#98877 - 473 ml
Packaged Weight: 0.56kg
1 pump treats 378 L
1 bottle treats 37,800 L



Alkalinity Booster

- Increases overall KH/pH and alkalinity
- Lab tested and pharmaceutical grade
- Dissolves completely and easily in pond water
- Phosphate and ammonia free

#96027 - 500 g
Packaged Weight: 1.36kg
1 scoop treats 472 L
1 container treats 18,900 L

#96028 - 4.08 kg
Packaged Weight: 4.42kg
1 scoop treats 472 L
1 container treats 154,035 L



Rapid Clear Flocculant

- Quickly clears cloudy water by clumping debris
- Works within 24 hours
- For best results, use in combination with a Rapid Clear Fine Filter Pad (#80001)

236 ml
#98879
Packaged Weight: 0.34kg
1 pump treats 378 L
1 bottle treats 8,900 L

473 ml
#96049
Packaged Weight: 0.56kg
1 pump treats 378 L
1 bottle treats 7,800 L



Rapid Clear Fine Filter Pads

- Speeds-up filtering of flocculated particles
- For best results, use in combination with Rapid Clear Flocculant water treatments
- Enhances water quality
- Includes three pads

#80001
Packaged Weight: 0.34kg
30cmW x 60cmL

Flocculant

1 Litre
#FLOC 1 LITRE
Packaged Weight: 1kg
Treats 50,000 litres

5 Litres
#FLOC 5 LITRES
Packaged Weight: 5kg
Treats 250,000 litres

20 Litres
#FLOC
Packaged Weight: 20kg
Treats 1,000,000 litres (1 megalitre)

Problem Solving (Continued)



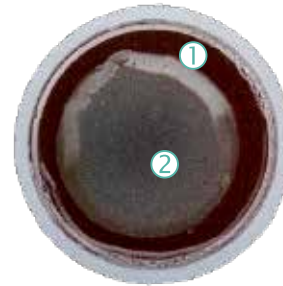
QuickFix Pond Gummy

- Rapidly resolves pond problems, including cloudy water
- Innovative gummy makes for quick and easy application
- Targets ammonia, nitrite, and phosphate
- Helps control organic waste and debris

#96083

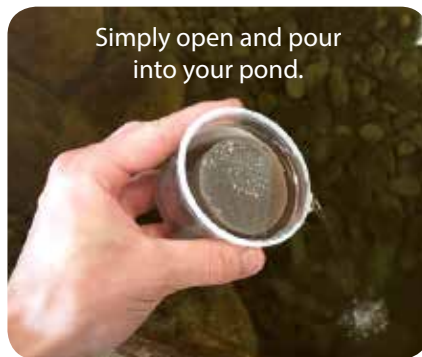
Packaged Weight: 0.11kg

1 package treats 11,340 L



Features and Benefits

- ① Each gummy sits in a solution containing a special blend of treatments.
 - Helps clear unsightly water conditions
 - Provides an instantaneous bio-available food source to maximize metabolic activity
- ② The gummy contains:
 - 320 billion viable bacteria cultures specifically selected for their ability to quickly resolve a variety of pond problems
 - Free enzymes which trigger digestion to help break down organics



Simply open and pour
into your pond.



Comes in a
convenient
tear-away box!

Professional Grade Water Treatments

Waterfall & Rock Cleaner Professional Grade

- Spot-treats the trouble areas on water features
- Quickly eliminates debris from waterfalls and rocks
- Reduces pond maintenance
- Goes to work instantly



4.08 kg

#30413

Packaged Weight: 4.3kg

1 scoop treats 14-18 m²

1 container treats 340 m²

Lake and Large Pond Treatments

Aquascape Lake and Large Pond Treatments are intended for lake and large pond use only. These formulations are optimized specifically for larger bodies of water and can cause issues when used in smaller water features.



Lake Sludge Remover Packs

- Quickly eliminates organic sludge and muck
- Easy-to-use water soluble packs make it easy to spot-treat and treat hard to reach areas
- All active ingredients with no fillers or binders
- Slowly releases oxygen to maximize sludge reduction
- Added macrobiotics and carbon source

192 Packs

#40017

Packaged Weight: 2.15kg

One pack treats approximately 23m²

One container treats approximately 4,460m²



Lake Treatment Booster Packs

- Turbo boosts the effects of lake water treatments
- Easy-to-use water soluble packs make it easy to spot-treat and treat hard to reach areas
- Adds oxygen and elements directly to the water to accelerate nutrient uptake and sludge digestion
- Increases bacterial growth by up to ten times
- Ideal for use with Lake Sludge Remover Packs, Lake Bacteria Packs, and Lake Phosphate Binder Packs
- Great for non-aerated or highly eutrophic bodies of water

192 Packs

#40027

Packaged Weight: 2.15kg

One pack treats approximately 23m²

One container treats approximately 4,460m²



PREDATOR CONTROL

Pond fish can be vulnerable to a variety of predators, including large birds such as the pesky blue heron. Fortunately, Aquascape provides several products to help pond owners prevent predators from harming their prized fish. Our popular ornamental deterrents help keep koi and other pond fish safe.



Special order only

Floating Alligator Decoy

#93000

Packaged Weight: 1.13kg

Pack Dimensions: 29cmL x 19cmW x 25.4cmH

Add a little fun to your pond while protecting your valuable fish. The natural body movement will deter herons and other predators from visiting your pond.

- Three hinged body parts allow gator to float freely and appear life-like, deterring pond predators
- Detailed in non-fading, no-glare, all-weather paint



Special order only

Blue Heron Decoy

#81030

Packaged Weight: 1kg

Product Dimensions: 71cmL x 23cmW x 16cmH

Deter herons from coming to your pond by tricking them into thinking another heron is already there.

- Looks life-like
- Quick and easy set-up
- Hand-painted with non-fading, no-glare, all-weather paint
- Surface treated to prevent paint flaking
- Molded from durable, lightweight polymer



Special order only

Faux Log Fish Cave

#78324

Packaged Weight: 5.2kg

Dimensions: 48cmL x 30cmW x 25.4cmH

Packaged Dimensions: 56cmL x 38cmW x 25.4cmH

- Provides pond fish shelter from predators
- Extremely realistic decorative accent for any size pond

Protective Pond Netting

Aquascape Protective Pond Netting keeps predators out while catching leaves and falling debris before they enter the pond. The reusable netting is easy to install and resists tearing. Each net comes complete with landscape stakes, making it simple and easy to cover your water feature. In addition to keeping leaves and debris from entering the pond, pond netting also protects fish from predators.



Protective Pond Netting

2.1m x 3m
#98000

Packaged Weight: 0.30kg
Packaged Dimensions: 14cmL x 7.6cmW x 23cmH

4.2m x 6m
#98001

Packaged Weight: 0.5kg
Packaged Dimensions: 18cmL x 12cmW x 38cmH

8.5m x 9.1m
#98002 **Special order only**

Packaged Weight: 1.1kg
Packaged Dimensions: 27cmL x 12.7mW x 55cmH

Bulk Protective Pond Netting

Aquascape Bulk Protective Pond Netting is ideal for multiple installations or larger ponds. The easy-to-dispense box and the convenient markers located every five feet make it easy to cut to the proper size. Fine 5/16" mesh keeps out smaller debris.



Special order only

Bulk Protective Pond Netting

3m x 30.48m
#74007

Packaged Weight: 3.62kg
Packaged Dimensions: 51cmL x 46cmW x 26cmH

6.1m x 30.48m
#74002

Packaged Weight: 6.6kg
Packaged Dimensions: 51cmL x 46cmW x 33cmH

9.15m x 30.48m
#74003

Packaged Weight: 9.3kg
Packaged Dimensions: 54cmL x 59cmW x 46cmH

Bulk Protective Pond Netting Accessories



U-Shaped Ground Stakes

100 pieces
#74008

Packaged Weight: 0.70kg
Packaged Dimensions: 18cmL x 2.8cmW x 21cmH

Special order only

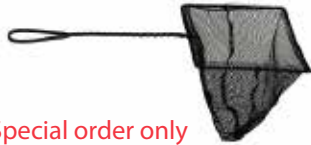


FISH CARE

Nets

Aquascape offers a variety of net options and sizes with both fixed and extendable handles.

Nets



Special order only

Kid's Pond Explorer Net

#98556

Packaged Weight: 0.09 kg

25cm x 18cm with 30cm Handle

Provides a fun way to interact with ponds



Special order only

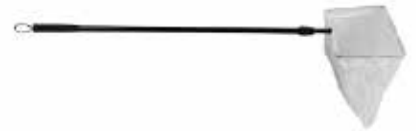
Pond Net with Extendable Handle

#98558

Packaged Weight: 0.34kg

30cm x 18cm x 81cm handle, extends to 160cm

For general maintenance and handling pond fish



Pond Skimmer Net with Extendable Handle

#98559

Packaged Weight: 0.34kg

30cm x 18cm x 81cm handle, extends to 160cm

Great for scooping up debris in tight spaces



Collapsible Pond and Fish Net

43cm Black Coarse Mesh

#81031

Packaged Weight: 0.5kg

For general maintenance and handling fish with collapsible design for easy storage



Collapsible Pond Skimmer Net

43cm White Fine Mesh

#81032

Packaged Weight: 0.5kg

For quick, easy removal of leaves and debris with collapsible design for easy storage



Pond Shark

#74004

Packaged Weight: 0.5kg

Extends up to 152cm

Combines three helpful tools into one easy-to-use net for raking, scraping, and collecting algae and debris



Heavy Duty Pond Net with Extendable Handle

#98560

Packaged Weight: 0.64kg

91cm handle, extends to 175cm

For general maintenance, and handling fish



Special order only

Heavy Duty Pond Skimmer Net with Extendable Handle

#98562

Packaged Weight: 0.64kg

91cm handle, extends to 175cm

For removing large amounts of debris



Special order only

Professional Fish Net with Extendable Handle

#74005

Packaged Weight: 0.95kg

56cm diam head, 81cm handle, extends to 175cm

For handling and cradling larger pond fish, preventing them from being snagged in mesh



Special order only

Professional Grade Pond Net

#50000

Packaged Weight: 0.90kg

For handling large fish and general maintenance



Special order only

Professional Grade Pond Skimmer Net

#50001

Packaged Weight: 0.90kg

For removing large amounts of debris



Special order only

Pond Shark Pro

#74005

Packaged Weight: 0.50kg

Extends up to 244cm

Combines three helpful tools into one easy-to-use net for raking, scraping, and collecting algae and debris



AQUATIC PLANT CARE

Aquatic plants are an important part of the water garden. They provide beauty and naturalization with a huge array of plant choices. Most importantly, they help balance the pond's ecosystem and provide valuable biological filtration that removes nitrogen, ammonia, nitrates, and other minerals from pond water. These excess nutrients are often the cause of unsightly water conditions. The end result helps to minimize pond maintenance, leaving more time to enjoy your pond. Without aquatic plants, your pond would not be able to function as a complete ecosystem.

Pond plants can be classified into a few main categories: waterlilies, marginal plants, floating plants, and submerged. Plants can also be put into two basic types known as "tropical" and "hardy." Hardy plants will over-winter in colder climates and tropical plants are more suited to warmer climates, although tropical plants are often used as annuals in colder climate zones.

Aquatic Planters

Aquascape Aquatic Planters are ideal for all pond plants. Made from fine, porous material, the planters allow water in while preventing soil from entering your pond. The flexibility of Aquatic Planters makes it simple to place plants between rocks and other form-fitting areas. Aquatic Planters blend into their surroundings and will not break or crack like traditional plastic planters.



Aquatic Planter 15cm x 15cm

(2-pack)

#98501

Packaged Weight: 0.11kg

Packaged Dimensions: 16.5cmL x 18cmW x 2.5cmH

Aquatic Planter 20cm x 15cm

(2-pack)

#98502

Packaged Weight: 0.11kg

Packaged Dimensions: 29cmL x 20cmW x 2.5cmH

Aquatic Planter 30cm x 20cm

(2-pack)

#98500

Packaged Weight: 0.23kg

Packaged Dimensions: 30cmL x 20cmW x 2.5cmH

Aquatic Lily Planter 35.5cm x 18cm

(2-pack)

#98929

Packaged Weight: 0.23kg

Packaged Dimensions: 30cmL x 24cmW x 2.5cmH

Floating Plant Island

The Aquascape Floating Plant Island is ideal for displaying plants in deeper areas of the pond or where there are no plant shelves. The floating planter is constructed to stay afloat at the surface of the pond and keeps the soil intact and lets water in while protecting plants from fish.



Floating Plant Island

#89006

Packaged Weight: 0.23kg

Dimensions: 38cmL x 28cmW x 10cmH

Packaged Dimensions: 41cmL x 10cmW x 32cmH

Aquatic Plant Tablets

Easy to use slow release fertiliser planting tablets for all aquatic pond plants. We recommend adding the tablets to your plants through the spring and summer months.



Aquatic Plant Tablets - 10 Pack

#AQPLANT10

Packaged Weight: 0.1kg

Packaged Dimensions: 5cmL x 16cmW x 22cmH

Aquatic Plant Tablets - 100 Pack

#AQPLANT100

Packaged Weight: 1kg

Packaged Dimensions: 10cmL x 16cmW x 28cmH



DECORATIVE

Decorative Water Features

Decorative water features include Fire Fountains, container water gardens, bubbling rocks or urns, spitters, and more.

Fire Fountains

Fire Fountains combine the beauty and elegance of fire and flowing water in a durable, self-contained GFRC (glass fiber reinforced concrete) water feature that sets up in minutes.

Container Water Gardens

Container water gardens are great for people who do not have the space or budget for an ecosystem pond, providing a way to add a miniature pond to any location.

Decorative Spitters

Decorative spitters are often used to add a whimsical touch or create a focal point and water movement to existing ponds or container water gardens. Decorative spitters can also be incorporated into traditional landscapes when combined with a small reservoir.

Urns, Bubbling Stones, and More

These water features are typically set atop an underground reservoir known as an AquaBasin®. A water pump contained within the AquaBasin keeps circulating the water over the feature.

Fire Fountains

The Aquascape Fire Fountain provides the beauty and elegance of fire and flowing water in a bowl-shaped GFRC water feature. The self-contained water feature is a complete kit and sets up in minutes. Simply connect the included pump and plumbing, fill with water, and enjoy! The fire feature in the center makes this fountain an ideal focal point or centerpiece to any outdoor setting. Paraffin oil recommended (not included).

Special order only



Fire Fountain 24" / 61cm

#78201

Packaged Weight: 25kg
Dimensions: 61 cm diameter x 30cmH
Pack Dimensions: 67cmL x 67cmW x 35.5cmH



Fire Fountain 28" / 71cm

#78202

Packaged Weight: 33kg
Dimensions: 71 cm diameter x 35.5cmH
Pack Dimensions: 77.5cmL x 77.5cmW x 43cmH



Fire Fountain 32" / 81cm

#78203

Packaged Weight: 43.5kg
Dimensions: 81 cm diameter x 40cmH
Pack Dimensions: 81cmL x 88cmW x 46cmH

Fire Glass



Special order only

1/4" Reflective Black
Fire Glass

#78262

Packaged Weight: 4.8kg
Packaged Dimensions: 16cmL x 13cmW x 23cmH



Special order only

1/4" Reflective Cobalt Blue
Fire Glass

#78263

Packaged Weight: 4.8kg
Packaged Dimensions: 16cmL x 13cmW x 23cmH



Special order only

1/4" Aquamarine
Fire Glass

#78264

Packaged Weight: 4.8kg
Packaged Dimensions: 16cmL x 13cmW x 23cmH

Fire Fountain Add-On Kits

Add the element of fire to a select group of our fountains with a plug-and-play Fire Fountain Add-On Kit.



Fire Fountain Add-On Kit
for Stacked Slate Fountains

#78221

Packaged Weight: 2kg
Packaged Dimensions: 27cmL x 27cmW x 19cmH



Fire Fountain Add-On Kit
for Scalloped Urns

#78260

Packaged Weight: 2kg
Packaged Dimensions: 27cmL x 27cmW x 19cmH



Fire Fountain Add-On Kit
for Rippled Urns

#78267

Packaged Weight: 2kg
Packaged Dimensions: 27cmL x 27cmW x 19cmH

NEW

AquaGarden Mini Pond Kit

Add a small pond and water garden to any outdoor or indoor location with the Aquascape AquaGarden Mini Pond Kit. This complete kit includes everything you need to get started, simply add your favorite plants and watch them grow. Great plant additions to the upper water garden include some houseplants, herbs, marginal plants, and more. The lower pond area holds 19 to 26 litres of water and is a great place for floating plants, a small water lily, or even a few small fish to create a recirculating aquaponics system.



AquaGarden Mini Pond Kit #78325

Packaged Weight: 8.6kg

Packaged Dimensions: 61cmL x 61cmW x 35.5cmH

Kit Includes:

- AquaGarden Mini Pond
- Plant and waterfall filter
- Waterfall light
- Water pump with low-suction attachment
- Expanded clay grow media
- (2) Decorative gravel



Features and Benefits

- ① Durable, injection-molded container is lightweight and built to last
- ② Integrated plant and waterfall filter cleans water and houses plants
- ③ Pump with low-suction attachment maximizes water usage and circulation
- ④ Integrated waterfall light illuminates the waterfall
- ⑤ Expanded clay grow media provides an ideal environment for plant growth
- ⑥ Decorative gravel in upper waterfall weighs down and disguises the grow media
- ⑦ Decorative gravel in lower pond beautifies the pond and provides surface area for beneficial bacteria to help keep the water clean

Aquatic Patio Pond Kit

The Aquascape Aquatic Patio Pond Kit makes it easy to add the soothing sounds of water to any location. Use in your garden, on your deck, patio, or balcony, or take it inside and add the beauty of water to your desk, kitchen, or living room.



Aquatic Patio Pond Kit #78197

Packaged Weight: 4kg

Packaged Dimensions: 38cmL x 48cmW x 27cmH

Kit Includes:

- 40cm Square Textured Gray Slate Patio Pond
- Pouring Bamboo Fountain with pump

DECORATIVE

Patio Ponds

Aquascape Patio Ponds make it simple to have a complete water garden in almost any setting. Creating a beautifully planted container water garden has never been easier. Use outside in your outdoor living space or bring indoors to add the soothing sounds of water to any room. Aquascape Patio Ponds have all the natural beauty of real stone with the added durability and light weight of fiberglass. The natural rock veneer never fades or chips and ages like real stone. The integrated plant shelf makes it easy to create a natural paradise with Aquascape Patio Ponds.



Green Slate 81cm Patio Pond

76 litres

#98856

Packaged Weight: 20kg

Dim: 81cmL x 81cmW x 35.5cmH



Desert Granite 81cm Patio Pond

76 litres

#98857

Packaged Weight: 20kg

Dim: 81cmL x 81cmW x 35.5cmH



European Terra Cotta 81cm Patio Pond

76 litres

#98858

Packaged Weight: 20kg

Dim: 81cmL x 81cmW x 35.5cmH



Textured Gray Slate 68cm Patio Pond

102 litres

#78050

Packaged Weight: 11kg

Dim: 68cmL x 68cmW x 35.5cmH

Green Slate 102cm Patio Pond

114 litres

#98859

Packaged Weight: 23kg

Dim: 102cmL x 102cmW x 40.6cmH

Desert Granite 102cm Patio Pond

114 litres

#98860

Packaged Weight: 23kg

Dim: 102cmL x 102cmW x 40.6cmH

European Terra Cotta 102cm Patio Pond

114 litres

#98861

Packaged Weight: 23kg

Dim: 102cmL x 102cmW x 40.6cmH

Textured Gray Slate 83cm Patio Pond

170 litres

#78051

Packaged Weight: 16kg

Dim: 83cmL x 83cmW x 40.6cmH

Bamboo Spitters

Special order only on all Spitters

Aquascape Bamboo Spitters are made from high quality, sturdy, polyresin that is both lightweight and UV and heat resistant. Polyresin takes on the texture, shape, and finish of real bamboo at a fraction of the cost and maintenance.



Deer Scarer Bamboo Fountain

#78306

Packaged Weight: 2kg

Packaged Dimensions: 46cmL x 18cmW x 20cmH

Recommended: 340 LPH Water Pump



Pouring 3-Tier Bamboo Fountain

#78307

Packaged Weight: 1.5kg

Packaged Dimensions: 47cmL x 18cmW x 19cmH

Recommended: 340 LPH Water Pump



Adjustable Pouring Bamboo Fountain

#78308

Packaged Weight: 2.6kg

Packaged Dimensions: 57cmL x 19cmW x 23cmH
Fountain Extends from 45cm to 76cm

Recommended: 340 LPH Water Pump

Decorative Spitters

Special order only on all Spitters

Aquascape Decorative Spitters are made from high quality, sturdy, polyresin that is both lightweight and UV and heat resistant. Polyresin takes on the texture, shape, and finish of real brass, wood, and stone at a fraction of the cost and maintenance.



Alligator Spitter
#78302

Packaged Weight: 4.4kg
Packaged Dimensions: 55cmL x 35cmW x 35cmH
Recommended: 680LPH Water Pump #91025



Dragonfly Spitter
#78303

Packaged Weight: 6.5kg
Packaged Dimensions: 70cmL x 49cmW x 37cmH
Recommended: 680LPH Water Pump #91025



Double Frog with Cattail Spitter
#78304

Packaged Weight: 4.3kg
Packaged Dimensions: 25cmL x 25cmW x 46cmH
Recommended: 680LPH Water Pump #91025



Frog on Reed Spitter
#78305

Packaged Weight: 3kg
Packaged Dimensions: 51cmL x 44cmW x 30cmH
Recommended: 300 LPH Water Pump



Lazy Frog on Lily Pad Spitter
#78311

Packaged Weight: 2kg
Packaged Dimensions: 33cmL x 30cmW x 19cmH
Recommended: 340 LPH Water Pump



Naughty Dog Spitter
#78310

Packaged Weight: 4kg
Packaged Dimensions: 52cmL x 30cmW x 32cmH
Recommended: 340 LPH Water Pump



Crazy Legs Frog Spitter
#78312

Packaged Weight: 4.5kg
Packaged Dimensions: 102cmL x 29cmW x 56cmH
Recommended: 340 LPH Water Pump



Crane with Lowered Head Spitter
#78313

Packaged Weight: 8kg
Packaged Dimensions: 57cmL x 36cmW x 95cmH
Recommended: 680LPH Water Pump #91025



Standing Crane Spitter
#78314

Packaged Weight: 8.2kg
Packaged Dimensions: 49.5cm"L x 35.5cmW x 112cmH
Recommended: 680LPH Water Pump #91025



Toucan Spitter
#78309

Packaged Weight: 4.6kg
Packaged Dimensions: 48cmL x 32cmW x 49.5cmH
Recommended: 340 LPH Water Pump



Man in Barrel Spitter
#78315

Packaged Weight: 1.7kg
Package Dimensions: 30cmL x 23cmW x 37cmH
Head Dimensions: 21.6cmL x 28cmW x 20cmH
Hand Dimensions: 11.4cmL x 12.7cmW x 7.6cmH
Recommended: 340 LPH Water Pump



* barrel not included

Decorative Accessories



Special order only



Decorative River Pebbles— Black #78160

Packaged Weight: 10kg

Packaged Dimensions: 23cmL x 9cmW x 36cmH

- Each stone measures approximately 7 to 12cm in size, each bag cover 0.45 square surface metre

Decorative River Pebbles— Mixed #78161

Packaged Weight: 10kg

Packaged Dimensions: 23cmL x 9cmW x 36cmH

- Each stone measures approximately 7 to 12cm in size, each bag cover 0.45 square surface metre

Fountain Shims (set of 6) #78159

Packaged Weight: 0.22kg

Packaged Dimensions: 10cmL x 2.5cmW x 18cmH

- Ideal for leveling resin, concrete, stone, or GFR water fountains.



NEW



Faux Log Fish Cave #78324

Packaged Weight: 5.2kg

Dimensions: 48cmL x 20cmW x 25cmH

Packaged Dimensions: 56cmL x 38cmW x 33cmH

- Provides pond fish shelter from predators
- Extremely realistic decorative accent for any size pond

Special order only

Faux Oak Stump Cover #78259

Packaged Weight: 8.6kg

Dimensions: 38cm diameter x 47.2cmH

Packaged Dimensions: 46cmL x 46cmW x 53.5cmH

- Great for hiding outdoor electrical outlets
- Can also be used as a decorative garden accent or seat

Special order only



Special order only



Special order only



Faux Driftwood 30" / 76cm #78276

Packaged Weight: 2kg

Packaged Dimensions: 81cmL x 18cmW x 27cmH

- Ideal for concealing hard-to-hide water feature components
- Great for use as a decorative accent

Faux Driftwood 35" / 89cm #78277

Packaged Weight: 3.4kg

Packaged Dimensions: 91cmL x 20cmW x 27cmH

- Ideal for concealing hard-to-hide water feature components
- Great for use as a decorative accent

Water Feature Basins

The Aquascape AquaBasins® are engineered to provide a trouble-free, easy-to-install fountain basin for a wide variety of decorative water feature installations, including natural stone, brass, and resin fountains. Their innovative design provides features and benefits that eliminate guesswork, improve water circulation, increase accessibility, and ensure a lifetime of enjoyment.



AquaBasin® 45
#78224
Packaged Weight: 27.2kg



AquaBasin® 30
#78223
Packaged Weight: 10kg



AquaBasin® Medium
#76004
Packaged Weight: 4kg

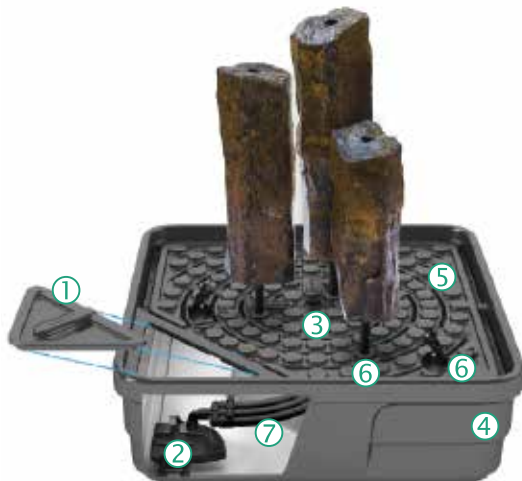


DecoBasin
#60000
Packaged Weight: 4kg

- 12.7cm diameter pump access hole
- 137cm splash skirt prevents leakage or over-splash

Comparison Chart

Model	AquaBasin 45	AquaBasin 30	AquaBasin Medium	DecoBasin
Water Storage Capacity	370 litres	102 litres	151 litres	56 litres
Max Flow Rate	16,000 LPH	8,000 LPH	8,000 LPH	6,000 LPH
Dimensions	113cmL x 113cmW x 40cmH	76cmL x 76cmW x 30cmH	61cmL x 61cmW x 40cmH	55cm diameter x 36cmH
Weight Capacity	680kg	226kg	544kg	45kg
Warrenty	Lifetime	Limited	Lifetime	1-Year



Features and Benefits of the AquaBasin® 45 and 30

- ① Large corner pump access panel fits larger pumps and sits elevated to prevent gravel from falling into the basin
- ② Pump and valve controls are easy to access for maintenance and adjusting water flow
- ③ Large, flat deck design makes it easy to set and position fountains
- ④ Professional-grade, high-density polyethylene construction
- ⑤ Drainage slots throughout the deck maximize water circulation
- ⑥ Structural deck cylinders provide endless plumbing and lighting port configurations, while reinforcing basin strength
- ⑦ Internal plumbing support allows plumbing to sit below the deck as it travels to the fountain(s), making installation simple and keeping plumbing out of sight

Stacked Slate Spheres



Small Stacked Slate Sphere

#78287

Packaged Weight: 12kg

Dimensions: 61cm diameter x 55cmH

Recommended Pump:

Ultra 800 Water Pump #91007

Medium Stacked Slate Sphere

#78288

Packaged Weight: 31kg

Dimensions: 81cm diameter x 76cmH

Recommended Pump:

Ultra 1500 Water Pump #91009

Large Stacked Slate Sphere

#78289

Packaged Weight: 50kg

Dimensions: 101.6cm diameter x 95cmH

Recommended Pump:

EcoWave 2000 Water Pump #91131



Fire Fountain Add-On Kit for Stacked Slate Fountains

#78221

Packaged Weight: 2kg

Packaged Dimensions: 27cmL x 27cmW x 19cmH



Medium Stacked Slate Sphere Landscape Fountain Kit

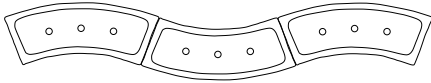
#78290

Packaged Weight: 88.4kg

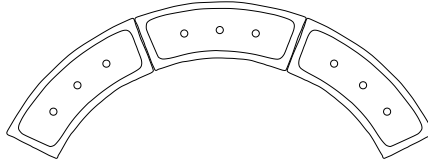
See page 22 for more information.

Stacked Slate Walls

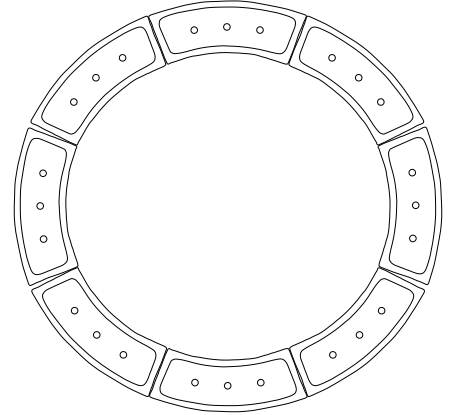
1. Choose a base.
2. Choose a topper.
3. Mix and match toppers and bases, linking them together to create beautiful, customized designs!



Create an S-Curve



Create a Crescent



Create a Circle

Curved Stacked Slate Wall Toppers



Front-Spill
Curved Stacked Slate Topper

#78284

Packaged Weight: 8.73kg

Dimensions: 91cmL x 30cmW x 15cmH



Rear-Spill
Curved Stacked Slate Topper

#78285

Packaged Weight: 8kg

Dimensions: 91cmL x 30cmW x 15cmH



Quad-Spill
Curved Stacked Slate Topper

#78286

Packaged Weight: 8.73kg

Dimensions: 91cmL x 30cmW x 15cmH

Curved Stacked Slate Wall Bases



Small Curved Stacked Slate Wall Base

#78283

Packaged Weight: 10.3kg

Dimensions: 91cmL x 30cmW x 33cmH

Recommended Pump:

EcoWave 2000 Water Pump #91131



Large Curved Stacked Slate Wall Base

#78282

Packaged Weight: 17.7kg

Dimensions: 91cmL x 30cmW x 66cmH

Recommended Pump:

EcoWave 2000 Water Pump #91131

Straight Stacked Slate Wall Toppers



Quad-Spill
Straight Stacked Slate Topper

#78280

Packaged Weight: 8.5kg

Dimensions: 91cmL x 30cmW x 15cmH



Front-Spill
Straight Stacked Slate Topper

#78281

Packaged Weight: 8.5kg

Dimensions: 91cmL x 30cmW x 15cmH

Straight Stacked Slate Wall Bases



Small Straight Stacked Slate Wall Base

#78279

Packaged Weight: 11kg

Dimensions: 91cmL x 30cmW x 33cmH

Recommended Pump:

EcoWave 2000 Water Pump #91131



Large Straight Stacked Slate Wall Base

#78278

Packaged Weight: 18.5kg

Dimensions: 91cmL x 30cmW x 66cmH

Recommended Pump:

EcoWave 2000 Water Pump #91131



Stacked Slate Spillway Wall 81cm
Landscape Fountain Kit

#78269

Packaged Weight: 71.2kg

See page 22 for more information.

Stacked Slate Urns

Mini Stacked Slate Urn

#58014

Packaged Weight: 2.3kg

Dimensions: 24.76cm diameter x 35cmH

Recommended Pump:

680 LPH Statuary Water Pump #91025



Small Stacked Slate Urn

#98939

Packaged Weight: 16kg

Dimensions: 54cm diameter x 85cmH

Recommended Pump:

Ultra 550 Water Pump #91124

Medium Stacked Slate Urn

#78207

Packaged Weight: 25.4kg

Dimensions: 68.5cm diameter x 114cmH

Recommended Pump:

Ultra 1100 Water Pump #91126

Large Stacked Slate Urn

#98940

Packaged Weight: 47kg

Dimensions: 90cm diameter x 140cmH

Recommended Pump:

EcoWave 2000 Water Pump #91131



Small Stacked Slate Urn Fountain Kit

#58064

Packaged Weight: 17.2kg

Kit Includes: Small Stacked Slate Urn, tubing, DecoBasin, and Ultra 550 Water Pump



Medium Stacked Slate Urn Landscape Fountain Kit

#58090

Packaged Weight: 81.65kg

See page 22 for more information.



Fire Fountain Add-On Kit for Stacked Slate Fountains

#78221

Packaged Weight: 2kg

Packaged Dimensions: 27cmL x 27cmW x 19cmH

Scalloped Urns

Small Scalloped Urn

#78238

Packaged Weight: 12kg

Dimensions: 50.8cm diameter x 81cmH

Recommended Pump:

Ultra 550 Water Pump #91124



Medium Scalloped Urn

#78239

Packaged Weight: 23kg

Dimensions: 68.5cm diameter x 114cmH

Recommended Pump:

Ultra 1100 Water Pump #91126

Large Scalloped Urn

#78240

Packaged Weight: 42kg

Dimensions: 96.5cm diameter x 142cmH

Recommended Pump:

EcoWave 2000 Water Pump #91131

Scalloped Urns (Continued)



Medium Scalloped Urn
Landscape Fountain Kit

#78270

Packaged Weight: 66kg

See page 22 for more information.



Fire Fountain Add-On Kit
for Scalloped Urns

#78260

Packaged Weight: 2kg

Packaged Dimensions: 27cmL x 27cmW x 19cmH

Rippled Urns



Small Rippled Urn

#78241

Packaged Weight: 11.2kg

Dimensions: 50.8cm diameter x 81cmH

Recommended Pump:

Ultra 550 Water Pump #91124

Medium Rippled Urn

#78242

Packaged Weight: 19kg

Dimensions: 68.5cm diameter x 114cmH

Recommended Pump:

Ultra 1100 Water Pump #91126

Large Rippled Urn

#78243

Packaged Weight: 41.3kg

Dimensions: 96.5cm diameter x 142cmH

Recommended Pump:

EcoWave 2000 Water Pump #91131



Medium Rippled Urn
Landscape Fountain Kit

#78271

Packaged Weight: 74.4kg

See page 22 for more information.



Fire Fountain Add-On Kit
for Rippled Urns

#78267

Packaged Weight: 2kg

Packaged Dimensions: 27cmL x 27cmW x 19cmH

Spillway Bowl, Basin, and Stand

The Aquascape Spillway Bowl, Basin, and Stand have a beautiful and unique patina made from durable GFRC (glass fiber reinforced concrete). They are lightweight and easy to install in unlimited possibilities. Install them as a disappearing water feature or link several together for an inspired display. The stands create the ideal elevation between the bowl and basin.



Spillway Basin 102cm

#78205

Packaged Weight: 54kg

Dimensions: 102cmL x 102cmW x 40cmH

Recommended Pump:

EcoWave 2000 Water Pump #91131



Spillway Bowl 81cm

#78204

Packaged Weight: 70.25 lb

Dimensions: 82cmL x 82cmW x 36cmH

Recommended Pump:

EcoWave 2000 Water Pump #91131



Spillway Bowl Stand

(2-pack)

#78206

Packaged Weight: 15.2kg

Dimensions: 34cmL x 34cmW x 10cmH



Spillway Bowl and Basin
Landscape Fountain Kit

#58087

Packaged Weight: 172kg

See page 22 for more information.

Pagoda Fountain Rocks

These beautiful, stratified limestone rocks have incredible foliation and one-of-a-kind shape and character that provide a beautiful rippling effect as water cascades over the surface of the stones.



Special order only

Pagoda Fountain Rocks Set of 3 -

#78219

Approx. Packaged Weight: 219kg

Recommended Pump

EcoWave 2000 Water Pump #91131



Special order only

Pagoda Fountain Rocks Set of 3
Landscape Fountain Kit

#58086

Approx. Packaged Weight: 270kg

See page 22 for more information.

Stone Basalt Columns

These natural stones provide impressive sights and sounds as water tumbles from the tall columns. The amazing variation and texture options ensure there is a basalt column perfect for any location.



Natural Mongolian Basalt Column 60cm

#58038

Approx. Packaged Weight: 91kg

Dimensions: 25cm diameter x 60cmH

Recommended Pump:

Ultra 550 Water Pump #91124

Natural Mongolian Basalt Column 76cm

#98503

Approx. Packaged Weight: 152kg

Dimensions: 25cm diameter x 76cmH

Recommended Pump:

Ultra 1100 Water Pump #91126

Natural Mongolian Basalt Column 91cm

#98969

Approx. Packaged Weight: 170kg

Dimensions: 25cm diameter x 91cmH

Recommended Pump:

EcoWave 2000 Water Pump #91131



Natural Mongolian Basalt Columns Set of 3

#58062

Packaged Weight: 386kg

(1) 60cm, (1) 76cm, (1) 91cm



Mongolian Basalt Columns Set of 3 Landscape Fountain Kit

#58089

Approx. Packaged Weight: 440kg

See page 22 for more information.



Mongolian Basalt Column 76cm Landscape Fountain Kit

#58065

Approx. Packaged Weight: 176kg

See page 22 for more information.



Special order only

Double-Textured Basalt Columns Set of 3

#98548

Packaged Weight: 125kg

Includes:

(1)—22.8cm diameter x 50.8cmH

(1)—17.8cm diameter x 33cmH

(1)—20.3cm diameter x 20.3cmH

Recommended:

AquaBasin® 30 #78223

Ultra 1100 Water Pump #91126

Kink-Free Pipe 20mmx 1.8m #[\(36M20X20\)C](#)



Special order only

Keyed Basalt Columns Set of 3

#98552

Packaged Weight: 112kg

Includes:

(1)—28cm diameter x 45.7cmH

(1)—28cm diameter x 30cmH

(1)—25.4cm diameter x 15cmH

Recommended:

AquaBasin® 30 #78223

Ultra 400 Water Pump #91123

Kink-Free Pipe 20mmx 1.8m #[\(36M20X20\)C](#)



Special order only

Semi-Polished Stone Basalt Columns Set of 3

#98264

Packaged Weight: 131kg

Includes:

(1)—19cm diameter x 30cmH

(1)—19cm diameter x 50.8cmH

(1)—25.4cm diameter x 68.5cmH

Recommended:

AquaBasin® 45 #78224

EcoWave 2000 Water Pump #91131

Kink-Free Pipe 20mmx 1.8m #[\(36M20X20\)C](#)

Backyard Waterfall Landscape Fountain Kit

The Aquascape Backyard Waterfall Landscape Fountain Kit is the perfect, easy-to-install Pondless® Waterfall kit. This complete kit includes the necessary components to install the soothing sound of running water to almost any outdoor location. Perfect for smaller spaces, this kit is ideal for front yards or situated next to your patio.



Backyard Waterfall Landscape Fountain Kit #83013

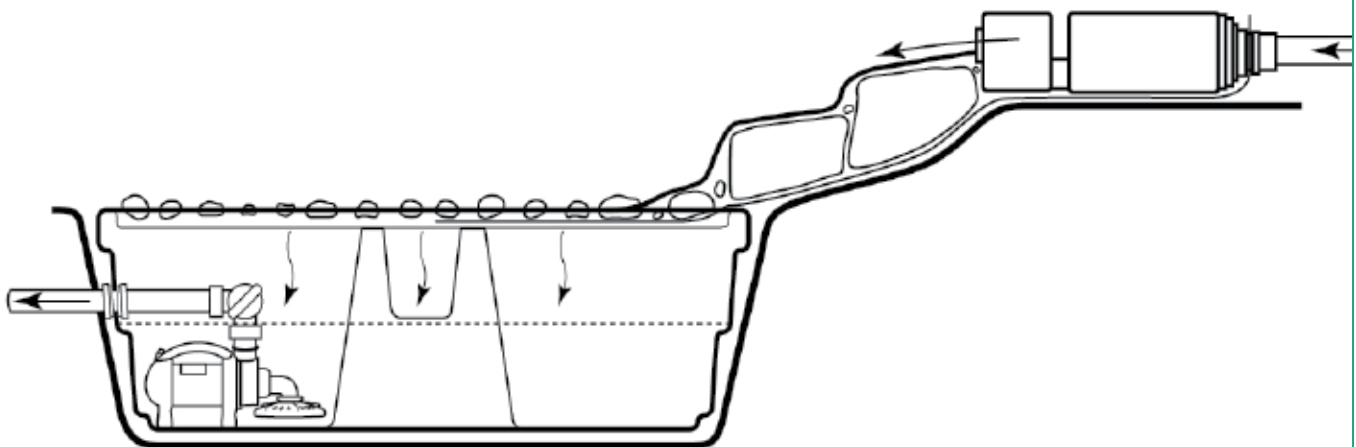
Packaged Weight: 80kg

Packaged Dimensions: 122cmL x 102cmW x 89cmH (Palletized)

Kit Includes:

- Waterfall Spillway
- AquaBasin® 45
- Pre-cut EPDM Liner — 3.05m x 2.5m
- Flexible PVC Pipe — 40mm x 4.5m
- EcoWave 2000 Pond Pump
- AquaSurge® Low Suction Intake Attachment
- Installation Kit
 - Fittings
 - Silicone Sealant
 - Pond and Waterfall Foam Sealant

Backyard Waterfall Landscape Fountain Kit Application



Sheer Descent

316 Stainless Steel Sheer Descent/Spillways			
Item #	Width	No. of 40mm inlets	Lip Size
300sheer	300mm	1	20mm Cascade / 30mm Projecting
600sheer	600mm	1	20mm Cascade / 30mm Projecting
900sheer	900mm	2	20mm Cascade / 30mm Projecting
1200sheer	1225mm	2	20mm Cascade / 30mm Projecting
1500sheer	1500mm	3	20mm Cascade / 30mm Projecting
1800sheer	1800mm	3	20mm Cascade / 30mm Projecting
2100sheer	2100mm	3	20mm Cascade / 30mm Projecting
2400sheer	2400mm	3	20mm Cascade / 30mm Projecting

* Nominate either Cascade or Projecting lip as well as back or bottom entry when ordering

* RGB LED Lighting available

We do not recommend the Stainless Steel Sheer Descents for use with pools.

Acrylic Sheer Descents			
Item #	Width	No. of 40mm inlets	Lip Size
300acrylic	300mm	1	25mm/ 150mm / 230mm / Rain Effect
600acrylic	600mm	1	25mm/ 150mm / 230mm / Rain Effect
900acrylic	900mm	1	25mm/ 150mm / 230mm / Rain Effect
1200acrylic	1200mm	1	25mm/ 150mm / 230mm / Rain Effect
1500acrylic	1500mm	2	25mm/ 150mm / 230mm / Rain Effect
1800acrylic	1800mm	2	25mm/ 150mm / 230mm / Rain Effect
2100acrylic	2100mm	2	25mm/ 150mm / 230mm / Rain Effect
2400acrylic	2400mm	2	25mm/ 150mm / 230mm / Rain Effect

* Nominate either back or bottom entry and lip size when ordering

* White, Blue or RGB LED Lighting available

* We recommend the supply of 150mm lip Water Fall unit (or greater), as the LED cover must be accessible for servicing purposes. Warranty on LED lighting will be void if the LED cover is built into the wall.





FIRESTONE LINER, UNDERLAYMENT, AND GEOTEXTILE

Liner, underlayment, and geotextile are the pond's foundation. With a large selection of liners available, it is important to always determine whether the liner you choose is safe for fish that may inhabit the pond.

Firestone Pondgard 1.02mm and Geogard 1.14mm fish-safe EPDM pond liner leads the industry in quality and reliability. Backed by an industry leading 20-year guarantee, Aquascape pond liner is the choice of discerning pond professionals. With superior elongation and lay-flat characteristics, it installs easily with no special tools required. Firestone Pondgard EPDM Liner also has exceptional resistance to solar UV, ozone, and oxidation.

Underlayment is installed before the liner to prevent punctures from rough or rocky ground. Not only does underlayment provide protection for the liner, it also allows the ground to breathe from underneath. The fabric allows the earth's gases to escape from underneath the liner rather than becoming trapped, causing gas bubbles to push the liner up into the pond.

Firestone



Lining for Life™

Firestone EPDM Liner

Pondgard 1.02mm EPDM Liner Rolls		
Item #	Roll Dimensions	Packaged Weight
W56PBS1010	3.05m x 30.5m	105kg
W56PBS1050H	3.05m x 15.25m	52.5kg
W56PBS1610	4.88m x 30.5m	165kg
W56PBS1650	4.88m x 15.25m	82.5kg
W56PBM2010	6.10m x 30.5m	205kg
W56PBM2010H	6.10m x 15.25	102.5kg
W56PBS2510	7.62m x 30.5m	256kg
W56PBS2550H	7.62m x 15.25m	128kg
W56PBL3010	9.15m x 30.5m	308kg
W56PBS3050H	9.15m x 15.25m	154kg
W56PBL4010	12.20m x 30.5m	375kg
W56PBS4050H	12.20m x 15.25m	187.5kg
W56PBL5010	15.25m x 30.5m	512kg
W56PBS5050H	15.25m x 15.25m	256kg

All liner available cut to size per lineal metre

Geogard 1.14mm EPDM Liner		
Item #	Roll Dimensions	Packaged Weight
W56EG42010S	6.10m x 30.5m	215kg
W56PB02050C	6.10m x 1.14mm - per lineal metre	-
W56EG42510S	7.62m x 30.5m	268kg
W56EG42510C	7.62m x 1.14mm - per lineal metre	-
W56EG43010L	9.15m x 30.5m	320kg
W56EG43010C	9.15m x 1.14mm - per lineal metre	-
W56EG44010L	12.20m x 30.5m	430kg
W56EG44010C	12.20m x 1.14mm - per lineal metre	-
W56EG45010S	15.25m x 30.5m	535kg
W56EG45010C	15.25m x 1.14mm - oer lineal metre	-



INSTALLATION & TECHNICAL SUPPORT
CALL CARMELO - Mob: 0438 341 511

Liner Underlayment

Non-Woven Geotextile Underlayment Rolls		
Item #	Roll Dimensions	Weight
#GEO1702	2m x 200m	170 gsm
#GEOC1702	2m - per lineal metre	170 gsm
#GEO1704	4m x 200m	170 gsm
#GEOC1704	4m - per lineal metre	170gsm
#GEO2702	2m x 115m	270 gsm
#GEOC2702	2m - per lineal metre	270 gsm
#GEO2704	4m x 115m	270 gsm
#GEOC2704	4m - per lineal metre	270 gsm





PIPE AND PLUMBING

Flexible PVC Pipe makes installations quick and easy. The main advantage of this high-quality pipe is that it has the durability to be glued into standard schedule 40 PVC fittings.

- Simplifies plumbing layouts and installations
- Sun, ozone, and mildew resistant—NOTE: we do not recommend placing flexible PVC pipe in continuous sunlight
- Made in the USA

Kink-Free Pipe is an excellent choice for quick and easy installations without the use of PVC cement. This high quality pipe is extremely flexible and resistant to crimping or collapsing around tight curves. Kink-Free Pipe works best when used with traditional stainless steel hose clamps and barbed fittings.

- Simplifies plumbing layouts and installations
- Internal spiral prevents crushing and smooth inner wall reduces friction and maximizes flow
- Made in Australia

Plumbing Materials provided by Aquascape include a complete selection of check valves, automatic water fill valves, and a variety of accessories, making it easy to complete any water feature with high quality plumbing products.

- Simplifies maintenance and installation
- Durable, professional quality products
- Easy to adapt to a variety of pipe types and sizes

Pipe and Plumbing



Flexible PVC Pipe

Item #	Pipe Dimensions	Packaged Weight
#48015	25mm x 15.24m	6.5kg
#29021	40mm x 7.62m	6kg
#29022	40mm x 15.24m	11kg
#29023	50mm x 7.62m	6.35kg
#29024	50mm x 15.24m	14kg
#29026	76mm x 30.5m	53.5kg

Also available cut to size per lineal metre



Kink-Free Pipe

Item #	Pipe Dimensions	Packaged Weight
#{36M20X20}	20mm x 20m	4kg
#{36M20X20}C	20mm - per lineal metre	.2kg
#{36M25X20}	25mm x 20m	5
#{36M25X20}C	25mm - per lineal metre	.25kg
#{36M32X20}	32mm x 20m	6.5kg
#{36M32X20}C	32mm - per lineal metre	.32kg
#{36M38X20}	38mm x 20m	7.5kg
#{36M38X20}C	38mm - per lineal metre	.37kg
#{36M50X20}	50mm x 20m	8.5kg
#{36M50X20}C	50mm - per lineal metre	.42kg

Check Valves and Flow Control Valves



Dual Union Check Valve 2.0

#48026

Packaged Weight: 1.7kg

The Dual Union Check Valve 2.0 provides a professional pump and plumbing connection inside skimmer filter systems, as well as Pondless® Waterfall Vaults. The innovative reversible fittings allow for universal application. The Dual Union Check Valve 2.0 prevents water backflow when the pump is not operating, while the dual-union, tool-free design makes maintenance quick and easy. The height is extendable for larger filters and pumps.



Features and Benefits

- ① Angled, swing-style valve effectively prevents back flow
- ② Heavy-duty flapper ensures longevity
- ③ Dual-union connections simplify pump and filter maintenance

Reversible
Fittings
Eliminate
Guesswork



FITTINGS INCLUDED
(2) Reversible 50mm MPT x 50mm Slip, (1) Reversible 40mm FPT x 50mm Slip



Dual Union 3" CVA Check Valve

#29098

Packaged Weight: 3.4kg

The Dual Union 3" CVA Check Valve is ideal for larger installations that use large pumps and filters. Heavy-duty, dual-union design ensures years of trouble-free use.



2-Way Flow Control Valve

#88005

Packaged Weight: 0.70kg



3-Way Controlled Barbed Valve

#88026

Packaged Weight: 0.40kg

Water Fill Valves

Aquascape Water Fill Valves automatically add water to features when needed. They reduce the time-consuming maintenance of manually filling water features with a hose. Water Fill Valves also help protect the pump from running dry and eliminate large water chemistry swings (including chlorine/chloramine levels) that occur during manual top-offs.



Compact Water Fill Valve

#88006

Packaged Weight: 0.3kg

- Up to 5.5 litres per minute flow rate at a working pressure of 0-100 PSI
- Small size allows it to fit into any skimmer filter, Pondless® Waterfall Vault, or decorative water feature application
- Includes fittings to connect to a standard garden hose with a 6mm poly-pipe (pipe sold separately)



Water Fill Valve 200

#29272

Packaged Weight: .45kg

- Up to 11 litres per minute flow rate at a working pressure of 0-100 PSI
- Reliable mechanical arm-style fill valve
- Brass hardware with poly float
- Includes fittings to connect to 13mm poly-pipe or 13mm pvc pipe (pipe sold separately)

Special order only



Hudson Water Fill Valve

#29469

Packaged Weight: 0.56kg

- Up to 5.5 litres per minute flow rate at working pressure of 8-65 PSI
- Works great in Signature Series Pond Skimmers and Pondless® Waterfall Vault
- Mounting plate allows 10cm setting adjustments
- Includes quick-connect fitting for 6mm poly pipe
- Can also be used with 13mm PVC by using the Fill Valve Irrigation Conversion Kit (Item #01008)

Water Fill Valve Accessories



Fill Valve Spigot 6mm Quick-Connect

#NC2145

Packaged Weight: 0.11kg

Connects 6mm poly pipe to garden spigot.



WFV Poly Pipe Roll

6mm x 30.5m

#29350

Packaged Weight: 0.56kg

6mm x 10m

#2935010

6mm cut to size per metre

#29350C

Fittings



Bulkhead Fittings

- #99126
40mm Bulkhead
- #29103
50mm Bulkhead
- #29104
76mm Bulkhead



PVC Ball Valves

- #1003444
40mm PVC Ball Valve
- #1003445
50mm PVC Ball Valve



Pressure Relief Valve

- #29160



PVC Male Pipe Adapters

- #99143
40mm MPT x 40mm Slip
- #99144
40mm MPT x 50mm Slip
- #29157
50mm MPT x 40mm Slip
- #29158
50mm MPT x 50mm Slip
- #29159
76mm MPT x 76mm Slip



PVC Wye Tees

- #1530176
40mm PVC Wye Tee
- #1530177
50mm PVC Wye Tee
- #80MM PVC WYE
80mm PVC Wye Tee



PVC Tees

- #99190
40mm PVC Tee
- #99191
50mm PVC Tee
- #99192
76mm PVC Tee



PVC Slip x Slip Coupling

- #1501720
40mm PVC Coupling
- #1501725
50mm PVC Coupling
- #29163
76mm Coupling



PVC Reducing Coupling

- #40-20REDUCE
40mm - 20mm Reducing Coupling
- #12555 - 50MM - 40MM
50mm - 40mm Reducing Coupling
- #HR-POO88050
76mm - 50mm Reducing Coupling



Multi Directional Eyeball

- #29104EYEBALL
Multi Directional Eyeball 40mm Black
- #29108EYEBALL
Multi Directional Eyeball 40mm Grey
- #29102EYEBALL
Multi Directional Eyeball 40mm Brown



INSTALLATION TOOLS

Whether you are a do-it-yourselfer or professional water feature contractor, Aquascape has all the pieces and parts you need for successful installation or repair. Installation tools, spare parts, and accessories are available individually or as part of a kit. Installation tools located within this section of the catalog include the following.

- Foam
- Foam Guns
- Patches
- Silicone
- Glue
- Firestone accessories

Installation Tools

Special order only



Economy Foam Gun Applicator #54003

Packaged Weight: 0.68kg

This lower-priced foam gun provides an attractive price point so that all contractors, no matter how many features they build, can afford to add a foam gun to their pond-building tool kit. To be used with Professional Black Waterfall Foam.



Professional Foam Gun Applicator #29268

Packaged Weight: 0.56kg

Aquascape Professional Foam Gun Applicator is designed to create an air and moisture-tight seal between the gun and the can, allowing for maximum foam yield and minimal waste. To be used with Professional Black Waterfall Foam.



Professional Foam Gun Kit #22013

Packaged Weight: 6.1kg

Kit includes:

- Case
- Professional Black Waterfall Foam (3)
- Professional Foam Gun Applicator
- Professional Foam Gun Cleaner



Professional Black Waterfall Foam #30096

Packaged Weight: 0.90kg

24 oz. can of expandable Professional Black Waterfall Foam. Equivalent to Pond and Waterfall Foam Sealant. To be used with foam guns (sold separately).



Professional Foam Gun Cleaner #22011

Packaged Weight: 0.56kg

A handy cleaner to flush the foam gun clean if it is not working properly. It will also remove uncured foam.



Pond and Waterfall Foam Sealant #21053

Packaged Weight: 0.56kg

No gun applicator needed! Easy to use for the beginner or do-it-yourselfer. Convenient and economical for a small project or the quick touch-up on a larger project. Also sold as part of our Installation Kit (#22008).



Black Silicone Sealant 4.7 oz #22010

Packaged Weight: 0.22kg

- Used for sealing joints where liner attaches to BioFalls® lip and the skimmer faceplate
- Fish-safe



Black Silicone Sealant 10.1 oz #29186

Packaged Weight: 0.22kg

- Used for sealing joints where liner attaches to BioFalls® lip and the skimmer faceplate
- Fish Safe



Clear Silicone Sealant 10.1 oz #82000

Packaged Weight: 0.34kg

- Used for sealing joints where liner attaches to BioFalls® lip and the skimmer faceplate
- Fish Safe

Installation Tools (Continued)



Installation Kit

#22008

Packaged Weight: 1kg

Kit includes:

- Liner Patch
- Christy's Red Hot Blue Glue
- Black Silicone Sealant
- Pond and Waterfall Foam Sealant



Christy's Red Hot Blue Glue

4 oz

#29969

Packaged Weight: 0.18kg

The original all-weather, wet or dry PVC cement.



EPDM Liner Double-Sided Seam Tape

7.62cm x 7.62m / 7.62cm x 30.5m

#W56RAC1698 / W56RAC1603

Packaged Weight: 0.90kg / 9kg

Also available per lineal metre



Firestone® QuickSeam Pond Liner Repair Kit

#W56RAC0030

Packaged Weight: 0.22kg

Kit includes:

- 15cm x 15cm QuickSeam patches
- Bottle of LVOC Primer (2 oz/57 ml)
- Scrubber pad
- Patch roller
- Pair of disposable gloves



Firestone® QuickSeam Tape Seaming Kit

#W56RAC16909L

Packaged Weight: 0.22kg

Kit includes:

- 7.62cm x 7.5m QuicksSeam Splice Tape
- QuickPrime Plus 250ml
- Scrubber pad
- Patch roller
- Pair of disposable gloves



Firestone® QuickPrime Plus— EPDM Liner Seaming Tape Primer

250ml / 0.95 L / 3.78 L

#QP250 / #W56RAC1695 / W563587041

Packaged Weight: 0.25kg / 1kg / 4kg

QuickPrime Plus is designed to clean and prime EPDM liner prior to seaming.



EPDM Liner Patch 6"

#22018

Packaged Weight: 0.11kg

This 15.24cm self-adhesive patch quickly repairs holes, tears, and cuts in liner.



Bonding Adhesive

18.9 Litre

#W563587052

Packaged Weight: 19kg

Firestone Bonding Adhesive is a neoprene/ polychloroprene based contact adhesive designed for bonding Firestone EPDM Geomembrane to wood, metal, masonry, concrete & other acceptable non-rubber clean, hard, smooth & dry substrates.



QuickSeam FormFlash

15.24cm x 15.24mm

#W56RAC0650

Packaged Weight:

QuickSeam FormFlash consists of uncured FormFlash factory laminated to QuickSeam Tape. It is designed to flash inside and outside corners, pipes, penetration pockets and other applications as required by Firestone Specifications and Details.

Also available per lineal metre

Installation Tools (Continued)



Universal Molded Pipe Flashing 2.5cm -15cm

#W563581063

Packaged Weight: 1kg

Firestone Pipe Flashings are deigned to seal round penetrations through the EPDM pond liners. For pipe penetrations from 2.5 cm up to 15 cm diameter.. Includes stainless steel worm gear clamp.



Lap Sealant 325ml

#W56358703ES

Packaged Weight: 0.35kg

Firestone Lap Sealant is used for seam edge treatment in conjunction with Firestone Splice Adhesive for EPDM liner applications it is also used after liner has been installed to cover any exposed edges.



Water Block Sealant

#W563587071S

Packaged Weight: 0.90kg / 9kg

Firestone Water Block Seal (S-20) is designed to provide a seal when used in compression as required by Firestone Specialty Products specifications and details.



Firestone® QuickScrubber Kit

#W563582045

Packaged Weight: 0.34kg

Kit consists of 3 scrub pads and 1 handle designed for the application of Firestone® QuickPrime Plus.

Handles & Pads available seperately.



Firestone® QuickScrubber Handle

#W563582056

Packaged Weight: 0.20kg

QuickScrubber Handle to be used with the QuickScrubber Pads for the application of Firestone QuickPrime Plus.



Firestone® QuickScrubber Pads

#W563582057

Packaged Weight: 0.07kg

QuickScrubber Pads to be used with the QuickScrubber Handle for the application of Firestone QuickPrime Plus.



Termination Bar 2.74cm x 3.05m

#W56RAC3061

Packaged Weight:

Firestone Termination Bar is corrosion resistant aluminium and is intended for fastening, attaching and sealing approved Firestone EPDM membrane terminations onto hard flat sound surfaces



Silicone Roller

#W563582023

Packaged Weight: 0.30kg

Used for rolling seams and installation details after application of QuickSeam Products.



Convex Roller

#RCO255

Packaged Weight: 0.20kg

Used for rolling corners and installation details after application of QuickSeam Products.



Heavy Duty Liner Cutter Blade

#54004

Packaged Weight: 0.25kg

Used for cutting EPDM liner and underlay. A must for all pond Contractors.



Replacement Cutter Blades

#54005

Packaged Weight: 0.20kg

Pack of 10



22 Machinery Rd • Yandina, QLD 4561
 PH: (07) 5446 7963
aquascapesupplies.com.au

For Support in your state:

VIC/TAS/WA/SA
 Brett McCormack
 Ph: 0488 032 995
asavic@aquascapesupplies.com.au

NSW/QLD
 Carmelo Lamacchia
 Ph: 0438 341 511
carmelo@aquascapesupplies.com.au



901 Aqualand Way • St. Charles, IL 60174
 Toll Free: (866) US-PONDS or (866) 877-6637
 Customer Service Fax: (877) 329-2340
 Technical Support Fax: (877) 329-2348
support.aquascapeinc.com

2020 Aquascape Supplies Australia Catalogue.



Find Us on Facebook
[facebook.com/ AquascapeSuppliesAustralia](https://facebook.com/AquascapeSuppliesAustralia)
facebook.com/aquascapeinc



Visit Us on Our Website
aquascapesupplies.com.au
aquascapeinc.com



Be Inspired on Pinterest
pinterest.com.au/aquascapesupplies
pinterest.com/aquascapeinc



Ponderings E-Newsletter
aquascapesupplies.com.au/aquascape-ponderings-newsletter/



Follow Us on YouTube
youtube.com/aquascape4



Aquascape Lifestyles E-Magazine
aquascapeinc.com/aquascape-lifestyles-magazine

Pondside Monthly E-Newsletter
aquascapeinc.com/pondside-monthly-e-newsletter



Greg Wittstock, The Pond Guy Vlog
youtube.com/gregwittstockthepondguy



TEAM Aquascape Vlog
youtube.com/TEAMAquascape



Ed The Pond Professor Vlog
youtube.com/edthepondprofessor