

Aquascape[®]

AQUAFORCE[®] POND PUMP

**Submersible, solids-
handling waterfall
& filter pump**

For models:

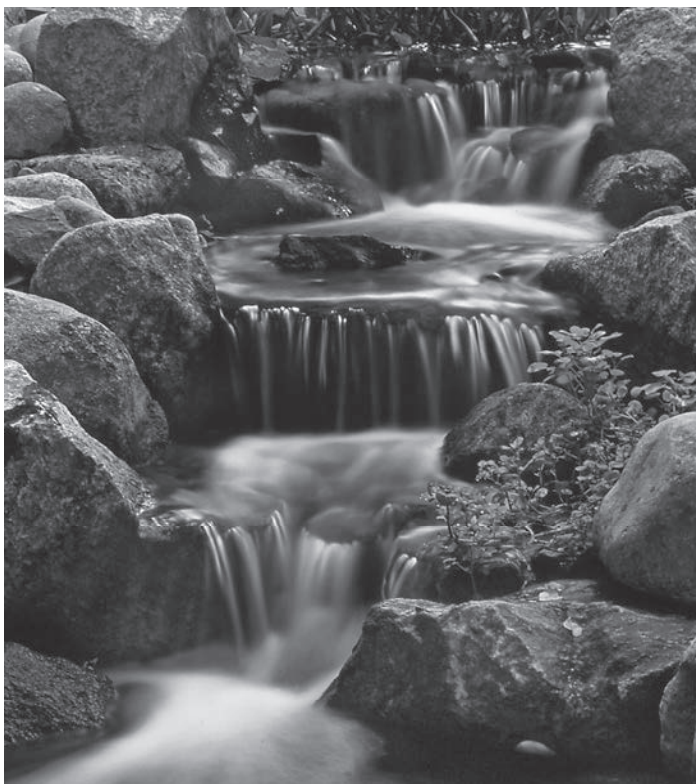
- 1000 (Item #91011)
- 1800 (Item #91112)
- 2700 (Item #91012)
- 3600 (Item #91113)
- 5200 (Item #91013)





AQUAFORCE® POND PUMP

Thank you for choosing the AquaForce® pump. At AquaScape, our goal is to supply our customers with the best valued products in water gardening. We hope you enjoy your purchase and thank you for choosing AquaScape. **Your Paradise. Our Passion.®**



The AquaForce® asynchronous solids-handling waterfall and filter pumps accomplish what most other pumps only aspire to achieve. The combination of energy-efficient performance, flow and ease of maintenance makes this pump the ideal choice for discriminating pond owners. The AquaForce® protective pre-filter cage allows the pump to be placed directly into the pond. AquaForce® pumps are able to pump solids up to one quarter of an inch, making it ideal for use with external pressure filters or AquaScape waterfalls-type filter systems.

The AquaForce® can also be used as a de-icer to help prevent winter fish loss by keeping a hole open in the ice during the cold winter months. The pump's powerful water flow, positioned just below the surface of the water, will ensure critical oxygen levels are maintained in the pond throughout the winter.



VISIT OUR WEBSITE



DOWNLOAD A FREE COPY OF OUR CATALOG



POND SQUAD INSTALLATION INSTRUCTIONS

Contact Us

For more information about our company or products please visit our website at www.aquascapeinc.com or call (US) 1-866-877-6637 (CAN) 1-866-766-3426.

Find us on:

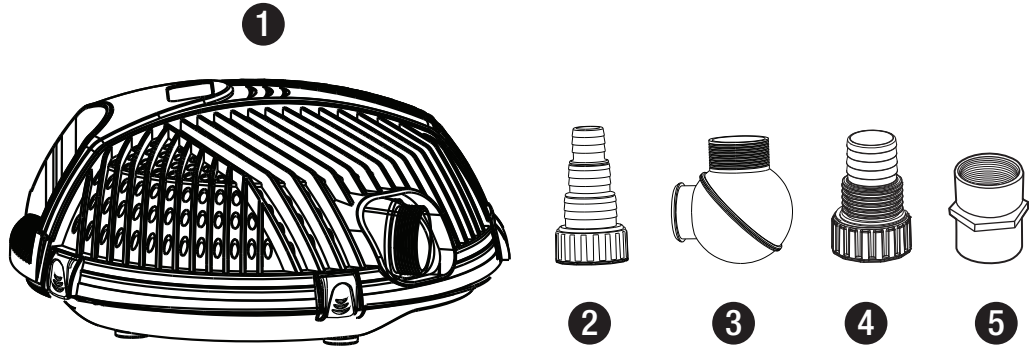


www.facebook.com/AquascapeInc
www.youtube.com/aquascape4
www.twitter.com/AquascapeInc
www.flipboard.com/profile/AquascapeInc

TABLE OF CONTENTS

Introduction	2
Safety Information	3
Installation	4
Operation and Maintenance	6
Troubleshooting	8

Contents	
No.	Description
1.	(1) AquaForce Pump
2.	(1) 1", 1.25", 1.5" Multi-Hose Adapter
3.	(1) 1.5" Rotational Ball Output
4.	(1) 1.5", 2" Multi-Hose Adapter
5.	(1) 1.5" Female Fitting



Helpful Symbols



WARNING Symbol - Will alert you to the possibility of damage or injury if you do not comply with the warnings that accompany them. The hazard may come from something mechanical or from electrical shock.



TIP symbol - Helpful information provided by a professional pond installer.

Safety Information



WARNING: Risk of electric shock – This pump has not been approved for use in swimming pool or marine areas.



WARNING: To provide continued protection against risk of electric shock, connect to properly grounded, ground fault circuit interrupter (GFCI) outlets only, using the following guidelines:

- (A) Have a qualified electrician install a properly grounded receptacle outlet, acceptable for outdoor use and protected from snow and rain.
- (B) Inspect cord before using.
- (C) Do not use extension cords.
- (D) Any wiring of pumps should be performed by a qualified electrician to ensure code compliance and user safety.
- (E) Unplug pump at receptacle outlet when not in use and before removal from pond.

- (F) To reduce risk of electrical shock, all wiring and junction connections should be made per local codes. Requirements may vary depending on usage and location.
- (G) The power cable should be protected at all times to avoid punctures, cuts, bruises and abrasions.
- (H) Never handle power cords with wet hands.
- (I) Do not remove cord and strain relief. Do not connect conduit to pump.
- (J) Do not use power cable to lift pump.



AQUAFORCE® PUMP SPECS

Model Number	1000	1800	2700	3600	5200
Item Number	#91011	#91112	#91012	#91113	#91013
Average Pond Size Recommendation	For Ponds up to 2,500 gallons	For Ponds up to 3,500 gallons	For Ponds up to 5,500 gallons	For Ponds up to 7,500 gallons	For Ponds up to 10,000 gallons
Maximum Flow Rate	1,070 GPH	2,149 GPH	2,695 GPH	3,868 GPH	5,284 GPH
Maximum Head Height	10 ft	16.5 ft	14 ft	18 ft	24 ft
Motor Type	Asynchronous	Asynchronous	Asynchronous	Asynchronous	Asynchronous
Wattage	55	160	147	215	360
Amperage	.51	1.33	1.25	1.8	3
Power Cord Length	25 ft	25 ft	25 ft	25 ft	25 ft
Pump Discharge Diameter	1.5" MPT	1.5" MPT	1.5" MPT	1.5" MPT	1.5" MPT
Multi-Hose Fitting Diameters	1", 1.25", 1.5", 2"	1", 1.25", 1.5", 2"	1", 1.25", 1.5", 2"	1", 1.25", 1.5", 2"	1", 1.25", 1.5", 2"
Warranty	3 Year Limited	3 Year Limited	3 Year Limited	3 Year Limited	3 Year Limited

Installation

- Always operate the pump fully submerged. Failure to do so will overheat the pump and cause it to fail, thus voiding the warranty. **DO NOT OPERATE DRY.**
- Use only in fully assembled state, and be sure that both the upper and lower cage screens are snapped together. Failure to operate the pump without the filter cage closed will allow large debris to enter the pump, causing the pump to fail and voiding the warranty.
- Do not wear loose clothing that may become entangled in the impeller or other moving parts.
- Keep clear of suction and discharge openings. **DO NOT** insert fingers in pump with power connected.
- Do not pump hazardous materials or liquids, such as oil, saltwater or organic solvents.
- Do not block or restrict discharge.
- Products returned must be cleaned, sanitized, or decontaminated, as necessary prior to shipment so as

to ensure that employees will not be exposed to health hazards in handling said material. All applicable laws and regulations shall apply.



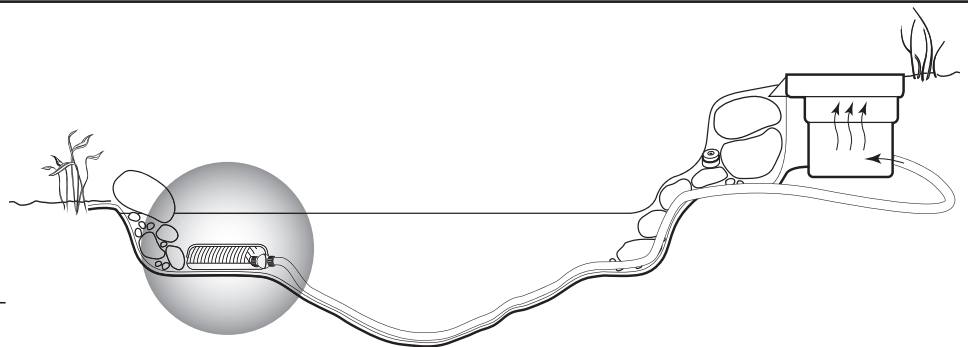
IMPORTANT: *Aquascape, Inc. is not responsible for losses, injury, or death resulting from a failure to observe these safety precautions, misuse or abuse of pumps or equipment.*

AQUAFORCE® SPECIFICATIONS

- Input Voltage: 120V AC
- Input Frequency: 60 Hz
- Submersible pump
- For outdoor or indoor use
- Thermally protected
- This pump has been evaluated for use with fresh water only
- Input Amps & Wattage: **See chart on next page**

Typical Installation in an ecosystem water garden

- The AquaForce® Pump is designed to be submerged directly into the pond. To maximize pond circulation, locate the AquaForce® pump as far away as possible from the location of the water entering back into the water feature.
- It is recommended that the pump **NOT** be positioned in the deepest area of the pond. This will protect the fish by preventing the pond from completely draining in the case of leak in the plumbing or filter. Bricks or stones can be used, if needed, to raise the pump up off the bottom of the pond.





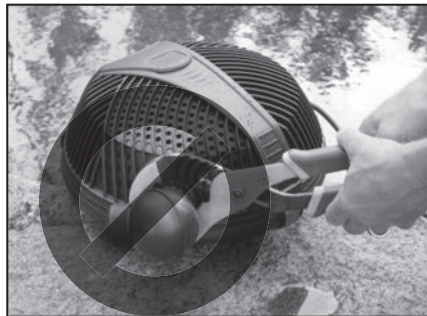
- The AquaForce® includes a wide assortment of fittings to choose from. Select the appropriate fitting(s) needed for your application.
- The threaded collar, on all of the fittings, enables the AquaForce® pump to be installed and removed without the need for any tools. Do not use tools to attach the fittings onto the pump discharge. Fittings need to be hand-tightened only.



- If using pipe with a larger diameter than the smaller fittings of the Multi-Hose Adapters, cut off the smaller section to avoid any flow restriction.

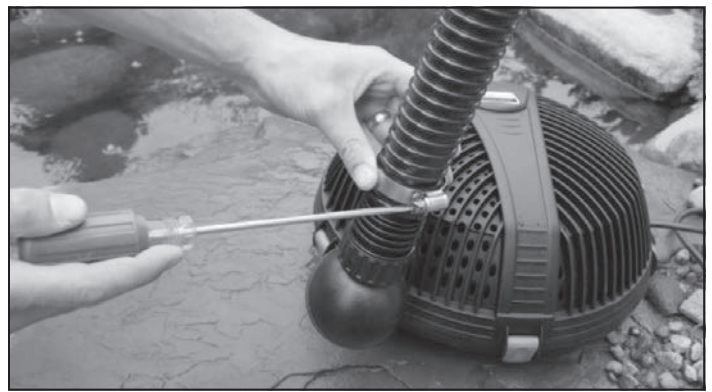


Threaded Collar



- The extremely versatile Rotational Ball Outlet provides you the ability to adjust the pump discharge to the perfect position that your water feature set-up requires. Loosening the threaded collar allows you to rotate the upper half of the ball. A flat rubber washer seal is included to ensure a hand-tight and leak-free connection. Make sure the flat rubber washer is in place before installing the fittings.

- Attach tubing to the fitting. If tubing is loose on the fitting, use a hose clamp (not included) to secure tubing onto the fitting.



- Install the right-sized Multi-Hose Adapter, based on the diameter of the tubing you are using.



- Connect the other end of the pump tubing to the pond filter, such as a biological filter, waterfall spillway or pressurized filter.



- Connect the pump to an outlet that is protected by a ground fault interrupter. Once the pump is running and water is circulating, check for any leaks where the external connections are made.



Using the AquaForce® as a Winter Bubbler

- The AquaForce® can also be used to prevent winter fish loss by keeping a hole open in the ice during the cold winter months. The AquaForce® helps ensure there is sufficient oxygen levels and proper gas exchange in the pond, helping to prevent fish loss. For best results use the AquaForce® in combination with a de-icer. The combination of the AquaForce® pump and a pond de-icer will further increase the pond's oxygen levels, remove potentially harmful gases from the water, and allow for a back-up in case one of the devices stops working.



- It is important to not place the AquaForce® on the bottom of the pond during the winter. This may disrupt the natural thermocline found in the deeper portions of the pond where the fish are overwinter. Instead, place the pump at least 1 foot above the deepest point of the pond. The rotational ball should be turned upwards, allowing the water to bubble at the surface of the pond. Bricks or stones can be used, if needed, to raise the pump to the proper level.



- Remove any debris stuck to the pump filter cage and/or use a garden hose to spray off any debris stuck to the filter cage.



- **Internal Pump Cleaning** – If you have thoroughly cleaned the filter cage screens and still have diminished flow rates, then you will need to remove the pump from the lower cage and inspect the impeller rotor assembly.
- Pull the cage release clips outward to unlock the upper and lower pump cages.



Operation and Maintenance

- **Pump Cage** – Do not remove the upper or lower pump cage while operating the pump. Failure to operate the pump without the filter cage or operating the pump with a broken cage will allow large debris to enter the pump causing the pump to fail, thus voiding the warranty.

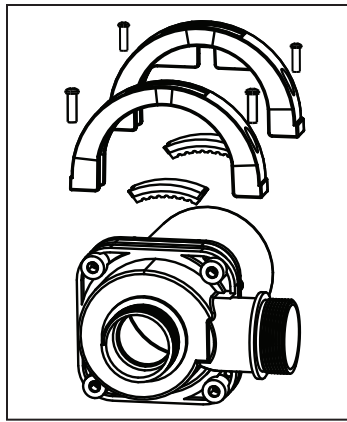
- **Pump Cage Cleaning** – We recommend inspecting your pump on a regular basis to ensure it is functioning properly. If you notice the water flow rate diminish, it may be due to the pump's filter cage becoming clogged with debris. In many cases the filter can simply be pulled from the pond and cleaned of any debris on the filter cage. Always disconnect the power before performing maintenance on the pump.



- With the cage clips released, the upper filter cage can be lifted to expose the pump.



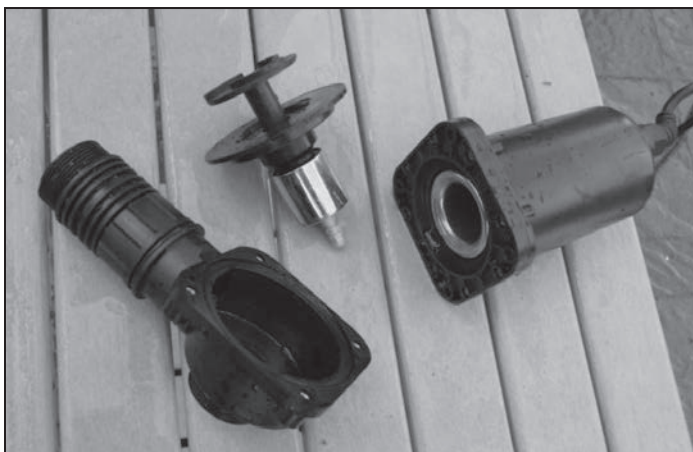
- Remove the screws securing the pump restraining bracket, allowing the pump to be lifted from the lower cage.



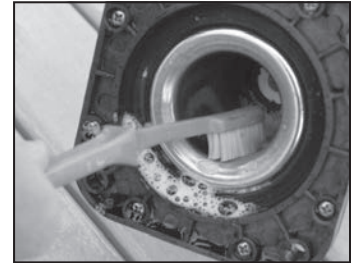
- For easier pump access, pull the power cord free from the strain relief.



- Remove the four screws that hold the water cover chamber and inspect the impeller rotor assembly.

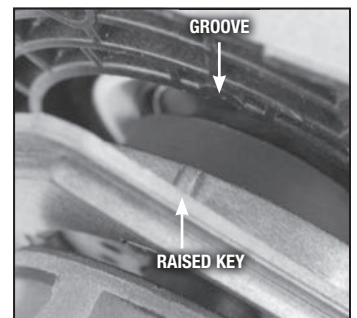


- If your rotor assembly impeller and internal pump body have excessive scale build-up, clean with a mild acid, such as white vinegar or non-abrasive calcium, lime and rust remover product. A sponge or soft-bristled brush that won't scratch the stainless steel can be used at this time. Removing scale build-up will allow your pump to run like new again.

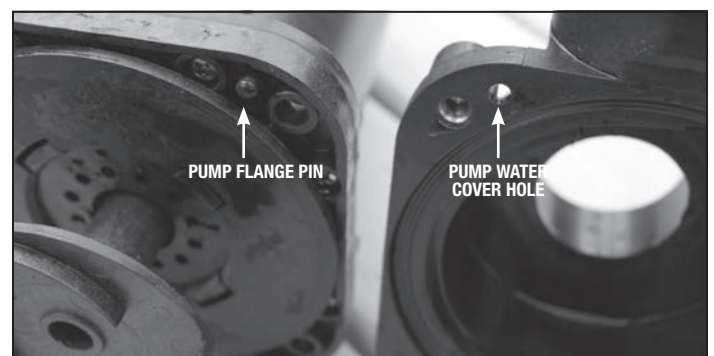


Replacing the Impeller/Rotor Assembly

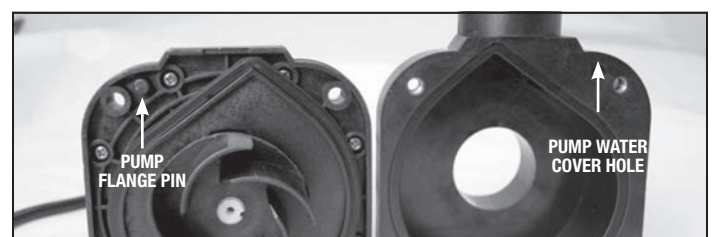
- For Model 3600 & 5200:** When replacing the AquaForce® 3600 or 5200 rotor-impeller assembly into the pump chamber, note the proper orientation. The raised key on the impeller face plate should be lined up with the groove in the pump housing.



- For Models 1000, 1800 and 2700:** The 1000, 1800 and the 2700 models allow the impeller-rotor assembly to be inserted into the pump body with no special alignment guides needed.



- AquaForce® 5200 ready for reassembly:** The water chamber cover will only fit back onto the pump with the top of the tear-drop shapes lining up, along with matching the hole in the cover with the pin on the face of the pump motor flange.



Replacing pump in cage

- Replace the pump into the lower cage and secure in place with the brackets. Also replace the power cord in the strain relief
- Reinstall filter cage and close all 5 clips.

Winter Storage

- The pump can be run during freezing weather if desired but should be removed if shutting down the pump for the winter. Disconnect the threaded collar on the discharge fitting and remove the pump from the pond (Be careful not to lose the flat rubber washer). Clean the pump and cage screens with fresh water and store the pump in a frost-free location.

Troubleshooting

• **Reduced Water Flow**

- Pump or plumbing may be clogged. It may be necessary to clean the pump cage screens and impeller.

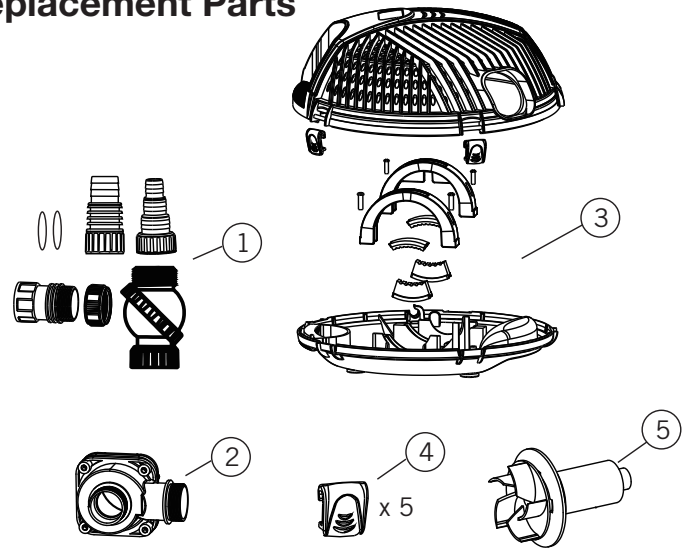
• **Pump Hums and Doesn't Push Water**

- Pump or plumbing may be clogged. It may be necessary to clean the pump cage screens.
- Remove the water chamber cover and inspect and clean the impeller rotor assembly and internal pump body.
- Make sure nothing is blocking or wrapped around the impeller.
- Make sure the pump is receiving the correct voltage.

• **Pump Not Working**

- The ground-fault circuit-interrupter (GFCI) may have tripped
- The pump is not receiving the correct voltage.

Replacement Parts



AQUAFORCE® PUMPS Replacement Parts		
Diagram Numbers	Item #	Product
①	91075	AquaForce® Replacement Cage Discharge Fitting Kit
②	91076	AquaForce® 1000/1800/2700 Replacement Water Chamber Cover
②	91077	AquaForce® 3600/5200 Replacement Water Chamber Cover
③	91078	AquaForce® 1000/1800/2700 Replacement Pump Cage Kit
③	91096	AquaForce® 3600/5200 Replacement Pump Cage Kit
④	91079	AquaForce® (G2) Replacement Cage Clip Kit
⑤	91080	AquaForce® 1000 Replacement Impeller Kit
⑤	91115	AquaForce® 1800 Replacement Impeller Kit
⑤	91081	AquaForce® 2700 Replacement Impeller Kit
⑤	91116	AquaForce® 3600 Replacement Impeller Kit
⑤	91082	AquaForce® 5200 Replacement Impeller Kit

Warranty

3 YEAR WARRANTY

The AquaForce® Pond Pump is guaranteed for three years from date of purchase. Proof of purchase required. Warranty does not cover damage resulting from negligent handling, misuse or lack of reasonable maintenance or care. Warranty is valid against defects due to material and the company's workmanship only. The sole obligation shall be to replace the defective unit with a suitable replacement unit. Units should be checked for proper operation prior to returning as defective. No liability for loss or damage of any nature or kind, whether arising out of or from the use of the product, whether defective or not defective, is assumed by Aquascape, Inc. or its affiliates.

For more information about our company or products,
please visit our website at www.aquascapeinc.com
or call us at (US) 1-866-877-6637 (CAN) 1-866-766-3426

©2012 Aquascape, Inc. • All Worldwide Rights Reserved

Rev 9/15

Aquascape[®]

AQUAFORCE[®] POND PUMP

**POMPE DE FILTRAGE
ET CASCADES,
SUBMERSIBLE ET
RÉSISTANTE AU
COLMATAGE**

Pour les modèles suivants:

- 1000 (article N° 91011)
- 1800 (article N° 91112)
- 2700 (article N° 91012)
- 3600 (article N° 91113)
- 5200 (article N° 91013)





AQUAFORCE® POND PUMP

Merci d'avoir choisi la pompe à plan d'eau AquaForce^{MD}. Chez Aquascape, notre but est de fournir à nos clients des produits de la plus haute qualité pour le jardinage aquatique. Nous espérons que vous aimerez votre achat et nous vous remercions d'avoir choisi Aquascape. **Votre paradis. Notre passion.^{MD}**



Les pompes pour filtration et cascades AquaForce^{MD} asynchrones et résistantes au colmatage effectuent ce que la plupart des autres pompes n'aspirent qu'à réaliser. La combinaison d'une performance écoénergétique, du débit et de la facilité d'entretien fait de cette pompe le choix idéal pour les propriétaires de plan d'eau exigeants. La cage protectrice préfiltrante d'AquaForce^{MD} permet à la pompe d'être placée directement dans le plan d'eau. Les pompes AquaForce^{MD} peuvent aspirer jusqu'à ¼ po (6,4 mm) de matières solides, rendant leur utilisation idéale avec des filtres à pression externes ou des systèmes de filtration pour cascades Aquascape.

L'AquaForce^{MD} peut aussi être utilisée comme dégivreur pour prévenir la perte de poissons durant la saison froide en maintenant un orifice dans la glace. Le puissant débit de la pompe, qui produit un jet situé juste sous la surface de l'eau, assurera le maintien du niveau essentiel d'oxygène dans le plan d'eau durant la saison froide.



VISITEZ NOTRE SITE WEB



EFFECTUEZ UNE RECHERCHE DANS NOTRE CATALOGUE



INSTRUCTIONS D'INSTALLATION DE NOTRE ÉQUIPE DE SPÉCIALISTES EN PLAN D'EAU

Nous joindre

For more information about our company or products please visit our website at www.aquascapeinc.com or call (US) 1-866-877-6637 (CAN) 1-866-766-3426.

Rejoignez-nous sur :



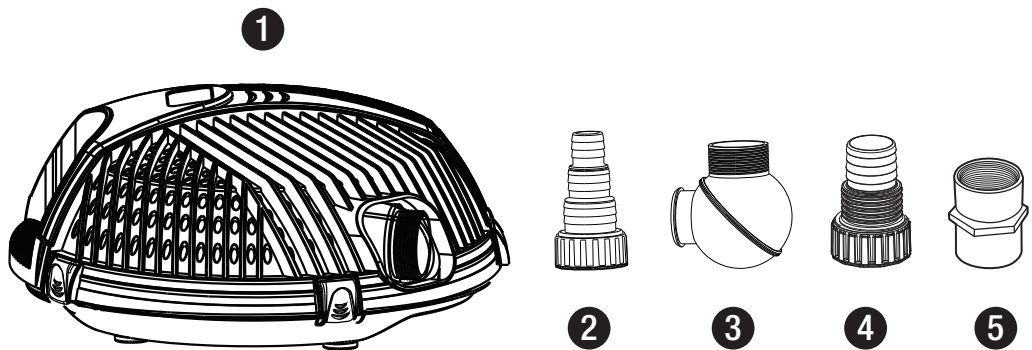
Flipboard

www.facebook.com/AquascapeInc
www.youtube.com/aquascape4
www.twitter.com/AquascapeInc
www.flipboard.com/profile/AquascapeInc

TABLE DES MATIÈRES

Introduction	11
Renseignements de sécurité	12
Mode d'emploi	12
Fonctionnement et entretien	14
Diagnostic des pannes.....	16

Contents	
No.	Description
1.	(1) AquaForce Pump
2.	(1) 1", 1.25", 1.5" Multi-Hose Adapter
3.	(1) 1.5" Rotational Ball Output
4.	(1) 1.5", 2" Multi-Hose Adapter
5.	(1) 1.5" Female Fitting



Symboles utiles



Symbole AVERTISSEMENT - Vous alertera sur la possibilité de dommages corporels ou matériels si vous ne vous conformez pas aux avertissements qui les accompagnent. Le danger peut avoir une origine mécanique ou être dû à une électrocution.



Symbole CONSEIL - Informations utiles fournies par un installateur professionnel de bassins.

Informations sur la sécurité



MISE EN GARDE : risque de choc électrique – Cette pompe n'a pas été approuvée pour une utilisation en piscine ou en zones marines.



MISE EN GARDE : Afin d'assurer une protection continue contre le risque de décharge électrique, ne branchez le cordon qu'à une prise d'alimentation avec mise à la terre, en observant les directives suivantes :

exigences peuvent varier en fonction de l'utilisation et de l'emplacement

- (G) Le câble électrique devrait être protégé en tout temps pour éviter les perforations, les coupures, les ecchymoses et les abrasions
- (H) Ne manipulez jamais les cordons d'alimentation avec les mains humides
- (I) N'enlevez pas le cordon et le dispositif de réduction de la tension. Ne joignez pas le conduit à la pompe
- (J) Ne soulevez pas la pompe par le cordon d'alimentation.

- (A) Faites installer une prise de courant correctement mise à la terre convenant à une utilisation extérieure et protégée de la neige et de la pluie
- (B) Inspectez le cordon d'alimentation avant l'utilisation
- (C) N'utilisez pas de rallonge électrique
- (D) Tout câblage relié à la pompe devrait être exécuté par un électricien qualifié pour être en conformité avec les normes et s'assurer de la sécurité de l'utilisateur
- (E) Débranchez la pompe de la prise de courant lorsque vous ne vous en servez pas ou avant de la sortir du plan d'eau
- (F) Pour réduire le risque de décharge électrique, tout le câblage et les raccordements de jonction devraient être exécutés selon les normes locales. Les



CARACTÉRISTIQUES DE LA POMPE AQUAFORCE®

Model Number	1000	1800	2700	3600	5200
Référence	91011	91112	91012	91113	91013
Taille moyenne de bassin recommandée	Pour les bassins jusqu'à 2 500 gallons	Pour les bassins jusqu'à 3 500 gallons	Pour les bassins jusqu'à 5 500 gallons	Pour les bassins jusqu'à 7 500 gallons	Pour les bassins jusqu'à 10 000 gallons
Débit maximal	1 070 GPH	2 149 GPH	2 695 GPH	3 868 GPH	5 284 GPH
Hauteur de chute d'eau maximale	10 pi	16.5 pi	14 pi	18 pi	24 pi
Type de moteur	Asynchrone	Asynchrone	Asynchrone	Asynchrone	Asynchrone
Puissance (W)	55	160	147	215	360
Intensité (A)	0,51	1,33	1,25	1,8	3
Longueur du cordon d'alimentation	25 pi	25 pi	25 pi	25 pi	25 pi
Diamètre de l'orifice d'évacuation	1,5 po MPT	1,5 po MPT	1,5 po MPT	1,5 po MPT	1,5 po MPT
Diamètres de raccord réducteur	1 po, 1,25 po, 1,5 po, 2 po	1 po, 1,25 po, 1,5 po, 2 po	1 po, 1,25 po, 1,5 po, 2 po	1 po, 1,25 po, 1,5 po, 2 po	1 po, 1,25 po, 1,5 po, 2 po
Garantie	Limitée de 3 ans	Limitée de 3 ans	Limitée de 3 ans	Limitée de 3 ans	Limitée de 3 ans

Mode d'emploi

- La pompe doit toujours être entièrement submergée lors de son fonctionnement. Ne pas le faire entraînera le surchauffement de la pompe et causera une défaillance de fonctionnement, ce qui annulera la garantie. **NE PAS FAIRE FONCTIONNER À SEC!**
- N'utilisez la pompe que lorsqu'elle est entièrement assemblée et assurez-vous que les deux grilles de la cage, supérieure et inférieure, soient bien attachées ensemble. Si vous opérez la pompe lorsque la cage de filtration n'est pas fermée, des débris de grande taille risquent d'entrer dans la pompe entraînant ainsi sa défaillance et annulant de ce fait la garantie.
- Ne portez pas de vêtements amples qui peuvent s'empêtrer dans la turbine ou dans d'autres pièces en mouvement.
- Restez à l'écart des sorties et des entrées d'eau. **N'INSÉREZ PAS** de doigts dans la pompe lorsqu'elle est branchée.
- Ne pompez pas de matières dangereuses ou des liquides, tels que l'huile, l'eau salée ou les solvants biologiques.

- Ne bloquez ni ne restreignez la sortie de la pompe.
- Les produits retournés doivent être nettoyés, désinfectés ou décontaminés au besoin, avant l'expédition pour s'assurer que les employés ne soient pas exposés à des risques pour la santé lors de la manutention dudit matériel. Toutes lois et tous règlements en vigueur seront applicables.



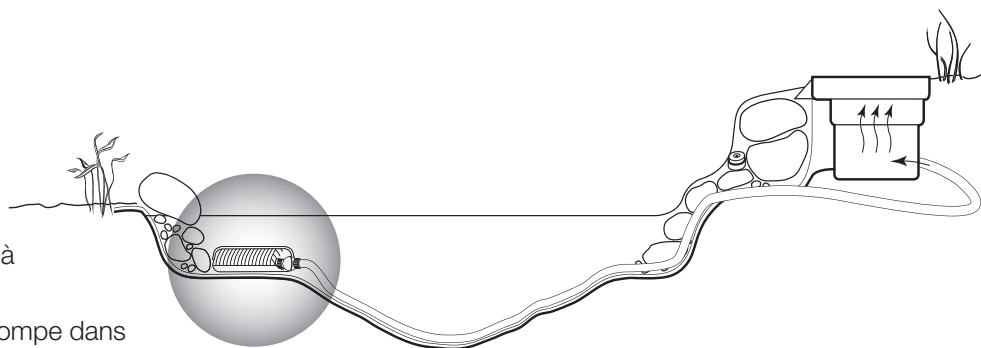
IMPORTANT: *Aquascape inc. n'est nullement responsable des pertes, blessures ou décès résultant du non-respect de ces consignes, d'une mauvaise utilisation ou d'une utilisation abusive de la pompe ou de l'équipement.*

Cahier des caractéristiques techniques d'AquaForce^{MD}

- Tension d'entrée : 120 V c.a.
- Fréquence d'entrée : 60 Hz
- Pompe submersible
- Pour utilisation extérieure ou intérieure
- Protection thermique
- Pompe évaluée en utilisation avec de l'eau seulement
- Intensité de courant d'entrée et puissance en watts: **voir diagramme ci-dessous**

Installation type dans un jardin d'eau avec écosystème

- La pompe AquaForce^{MD} est conçue pour être submergée directement dans le plan d'eau. Afin de maximiser la circulation d'eau dans le plan d'eau, placez la pompe AquaForce^{MD} aussi loin que possible de l'emplacement où l'eau entre à nouveau dans l'installation aquatique.



- Il est recommandé de NE PAS placer la pompe dans la partie la plus profonde du plan d'eau. Ceci protégera les poissons en empêchant le plan d'eau de se vider complètement en cas de fuite dans la plomberie ou le filtre. Des briques ou des pierres peuvent être utilisées, si nécessaire, pour surélever la pompe du fond du plan d'eau.



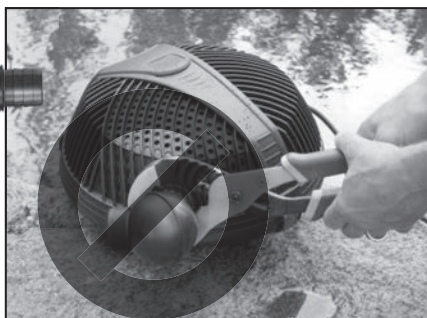
- L'AquaForce^{MD} comprend un vaste assortiment de raccords parmi lequel choisir. Sélectionnez le

raccord approprié ou les raccords nécessaires à votre installation.

- Le col fileté de tous les raccords permet à la pompe AquaForce^{MD} d'être installée et enlevée sans outils. N'utilisez pas d'outils pour fixer les raccords à la sortie de la pompe. Les pièces doivent être serrées à la main seulement.



Col fileté



- La sortie d'eau à boule pivotante extrêmement polyvalente vous donne la capacité d'ajuster la sortie d'eau de la pompe à la position requise par votre installation aquatique. En desserrant le col fileté, vous pouvez faire tourner la moitié supérieure de la boule.



Une rondelle plate en caoutchouc est incluse pour un raccordement serré manuellement et sans fuite. Assurez-vous que la rondelle plate en caoutchouc soit préalablement mise en place avant l'installation des raccords.



- Installez l'adaptateur de tuyau multiple de la bonne taille en vous basant sur le diamètre du tuyau que vous utilisez.
- Si vous utilisez un tuyau d'un diamètre supérieur à la partie la plus étroite de l'adaptateur de tuyau multiple, taillez les parties plus étroites pour éviter toute restriction dans le débit d'eau.



- Fixez le tuyau au raccord. Si le tuyau n'est pas assez serré au raccord, utilisez un collier de serrage (non compris) pour bien fixer le tuyau au raccord.



- Joignez l'autre bout du tuyau de la pompe au filtre à plan d'eau comme un filtre biologique, un déversoir de cascades ou un filtre pressurisé.



- Branchez la pompe à un disjoncteur de fuite à la terre. Lorsque la pompe fonctionne et que l'eau circule par le(s) filtre(s) ou les cascades, vérifiez toute possibilité de fuite dans les raccords ou les cascades aux endroits où des raccords externes ont été faits.



Utilisation de l'AquaForce^{MD} comme barboteur hivernal

- L'AquaForce^{MD} peut aussi être utilisée pour prévenir la perte de poissons durant la saison froide en maintenant un orifice dans la glace. L'AquaForce^{MD} permet de maintenir des niveaux d'oxygène suffisants et un échange gazeux approprié dans le plan d'eau, prévenant ainsi la perte de poissons. Pour de meilleurs résultats, utilisez l'AquaForce^{MD} en combinaison avec un dégivreur. De plus, la combinaison de la pompe AquaForce^{MD} et du dégivreur augmentera les niveaux d'oxygène du plan d'eau, éliminera de l'eau les gaz potentiellement nuisibles et fournira une protection de secours au cas où un des dispositifs arrêterait de fonctionner.
- Il est important de ne pas installer l'AquaForce^{MD} au fond du plan d'eau pendant l'hiver. Ceci pourrait perturber la thermocline présente naturellement dans les parties plus profondes du plan d'eau, là où les poissons hivernent. Au lieu de cela, placez l'AquaForce^{MD} à au moins 1 pi (30 cm) au-dessus du point le plus profond de l'étang. La boule pivotante devrait être orientée de façon à permettre à l'eau



d'émettre des bulles à la surface. Des briques ou des pierres peuvent être utilisées si nécessaire pour élever la pompe au niveau adéquat.

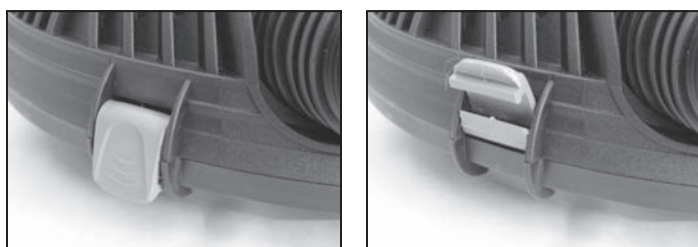


Fonctionnement et entretien

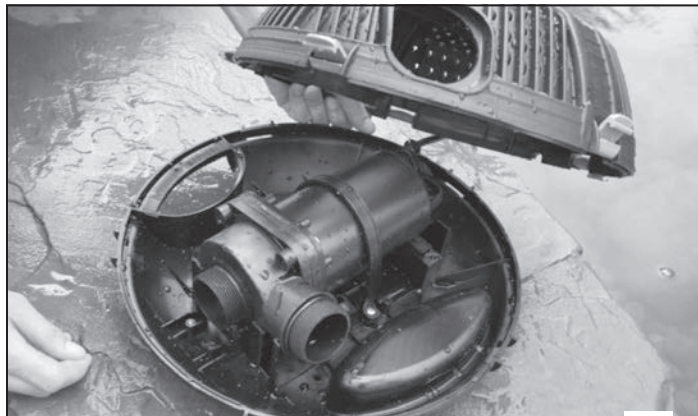
- **Cage de pompe** – N'enlevez ni la cage supérieure ni la cage inférieure de la pompe lorsque vous l'actionnez. Faire fonctionner la pompe sans la cage de filtration ou avec une cage brisée permettrait à des débris de grande taille d'entrer dans la pompe, entraînant ainsi sa défaillance et annulant de ce fait la garantie.
- **Nettoyage de la cage de pompe** – Nous recommandons d'inspecter votre pompe régulièrement pour vous assurer qu'elle fonctionne correctement. Si vous remarquez que le débit d'eau diminue, cela peut être dû à des débris obstruant la cage de filtration de la pompe. Débranchez le courant en tout temps avant de procéder à l'entretien de la pompe. Dans de nombreux cas, la cage de filtration bouchée peut être nettoyée en plongeant la main dans le plan d'eau, ou en mettant la pompe hors de l'eau et en enlevant les débris de la cage de filtration.
- Retirez les débris logés dans la cage de filtration de la pompe et/ou utilisez un tuyau d'arrosage pour nettoyer les débris collés sur la cage de filtration.



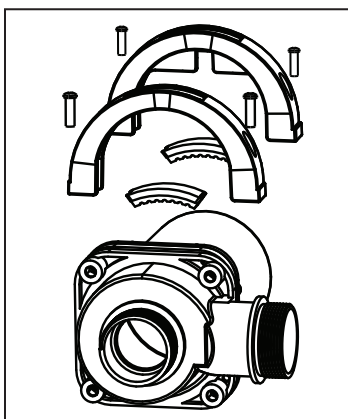
- **Nettoyage interne de la pompe** – Si vous avez nettoyé à fond les grilles de la cage de filtration et avez réduit le débit d'eau, alors vous devrez enlever la pompe de la cage inférieure et inspecter l'assemblage du rotor à turbine.
- Tirez sur les loquets de déblocage de la cage vers l'extérieur pour ouvrir les cages supérieure et inférieure de la pompe.



- Les loquets de déblocage de cage étant détachés, la cage de filtration supérieure peut être soulevée pour en exposer la pompe.



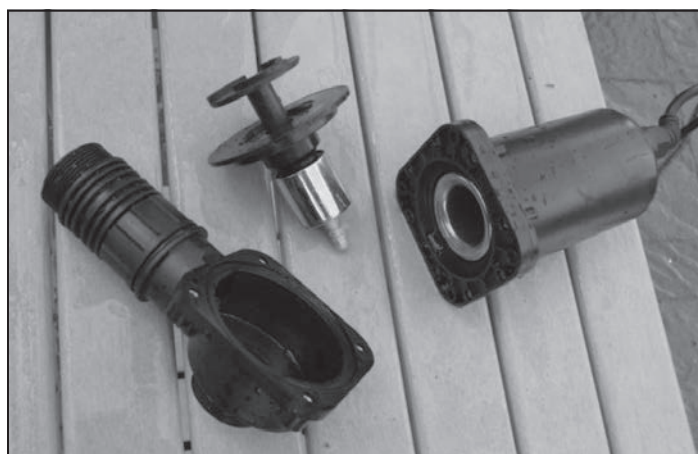
- Enlevez les vis qui fixent le support de retenue de la pompe, permettant à la pompe pour être levé par la cage.



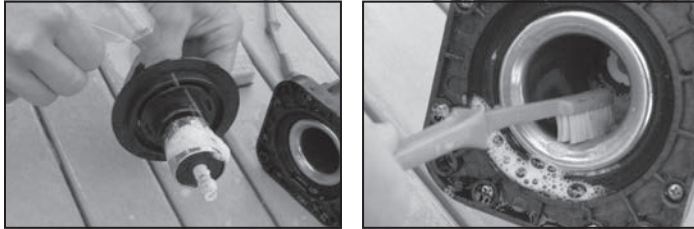
- Pour accéder plus facilement à la pompe, libérez aussi le cordon d'alimentation du dispositif de décharge de traction.



- Enlevez les quatre vis qui retiennent le couvercle de la chambre d'eau et inspectez l'assemblage du rotor à turbine.

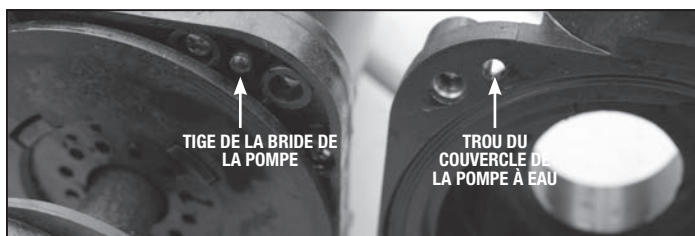
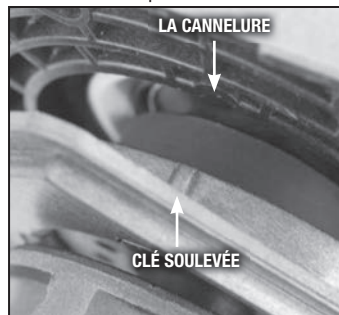


- Si l'assemblage de la turbine du rotor et la partie interne de la pompe contiennent des dépôts calcaires excessifs, nettoyez avec un acide doux, comme du vinaigre blanc ou du CLR, et une éponge de cuisine ou une brosse à poils doux qui n'égratignera pas l'acier inoxydable. Ceci éliminera les résidus calcaires et permettra à la turbine de la pompe de tourner à nouveau.



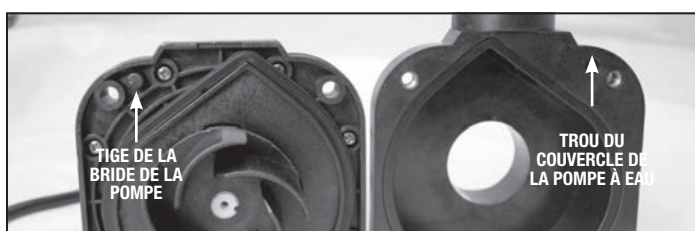
Remplacement de l'ensemble turbine/rotor

- **Pour les modèles 3600 et 5200:** lorsque vous remplacez l'ensemble turbine/rotor 3600 ou 5200 AquaForce® dans la chambre de la pompe, vérifiez si son orientation est correcte. La clé soulevée sur la plaque avant de la turbine doit être alignée avec la cannelure dans le corps de pompe.
- **Pour les modèles 1000, 1800 et 2700:** les modèles 1000 (illustré ci-dessous), 1800 et 2700 permettent à l'ensemble turbine/rotor de s'insérer dans le corps de pompe sans nécessiter de guides d'alignement spéciaux.



• Modèle 5200 AquaForce® prêt à être réassemblé:

Le couvre-chambre à eau se replacera sur la pompe uniquement si les parties supérieures en forme de goutte d'eau sont alignées et si la goupille sur la face de la bride du moteur de pompe peut rentrer dans le trou pratiqué dans le couvercle.



Remplacement de la pompe dans la cage

- Remplacez la pompe dans la partie inférieure cage et sécurisez le lieu avec les anneaux de la pompe. Remplacez les cordons d'alimentation.
- Réinstallez la cage de filtration et fermez les cinq loquets.

Le rangement hivernal

- Vous pouvez faire fonctionner la pompe par temps glacial si désiré, mais elle devrait être enlevée si vous l'arrêtez pour l'hiver. Débranchez le col fileté du raccord de sortie et sortez la pompe du plan d'eau (gardez prudemment la rondelle en caoutchouc plate). Nettoyez la pompe et les grilles de la cage avec de l'eau douce et rangez la pompe dans un endroit à l'abri du gel.

Diagnostic des pannes

- **Débit d'eau réduit**
 - La pompe ou la plomberie peuvent être bouchées. Il peut être nécessaire de nettoyer les grilles de filtration et la turbine.
- **Bourdonnement de la pompe et absence de propulsion d'eau**
 - La pompe ou la plomberie peuvent être bouchées. Il peut être nécessaire de nettoyer les grilles de filtration et la turbine.
 - Enlevez le couvercle du réservoir, inspectez et nettoyez l'assemblage du rotor de turbine et la partie interne de la pompe.
 - Assurez-vous que rien ne bloque ou n'enveloppe la turbine.
 - Assurez-vous que la pompe reçoit la bonne tension.
- **Pompe en panne**
 - L'interrupteur du disjoncteur de fuite à la terre (GFCI : ground-fault circuit-interrupter) peut avoir été déclenché.
 - La pompe ne reçoit pas la bonne tension.

Pour plus de renseignements au sujet de notre société ou de nos produits, veuillez visiter notre site Web au www.aquascapeinc.com ou téléphonez sans frais au 1 866 766 3426, au Canada, ou au 1 866 877 6637, aux États-Unis.

©2015 Aquascape, Inc. • Tous droits réservés mondialement

Rev 10/15